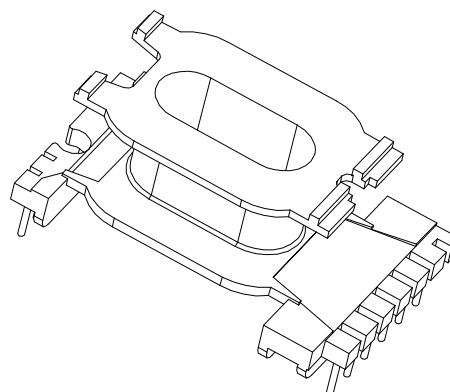
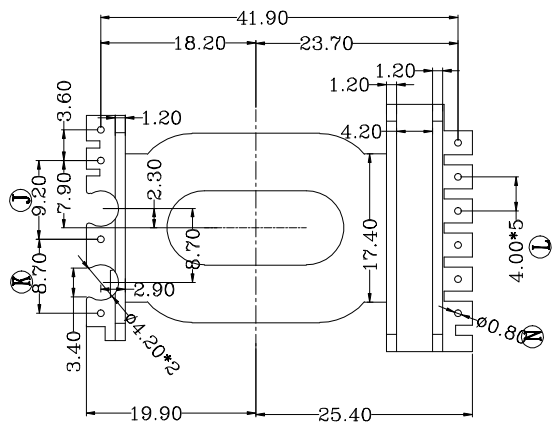
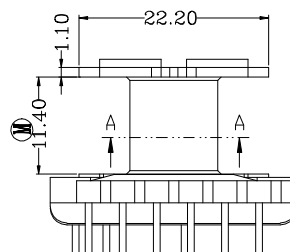
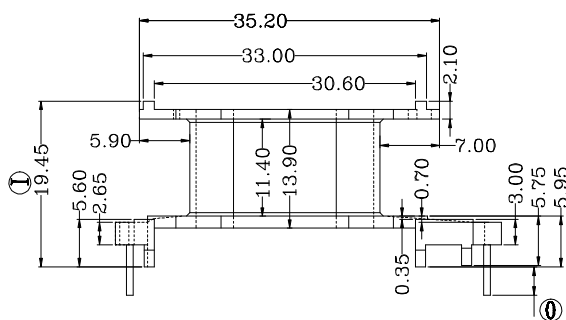
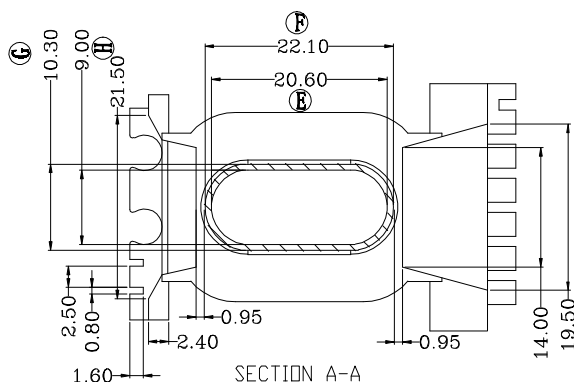
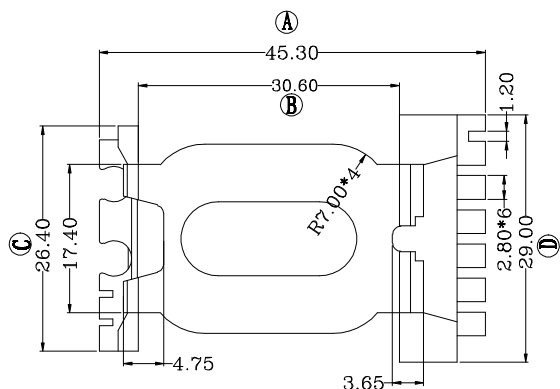


ZX-27B



REV.	REVISIONS REC.	DATE	REV.	REVISIONS REC.	DATE
1			4		
2			5		
3			6		
DRAWN & DRAFTED BY		TOLERANCES		ANGLE: $\pm 1^\circ$	
CHECKED & APPROVED BY		0.1 ≤ 4 ± 0.1		TITLE: ATQ-27 (4+6P)	
CHEN LING		4 ≤ 16 ± 0.2		BOBBIN MATERIAL: PHENOLIC	
		16 ≤ 63 ± 0.3		UL REC. UL 94V-0	
		pin pitch ± 0.2		PIN MATERIAL: CP WIRE	
		UNIT: MM		PIN TENSION LOAD: 1.2kg MIN	
		SCALE:		DATE: 2017.07.26	
		DRAWING NO. ZX-27B		REV. A01	



智信电子塑胶有限公司

ZHI XIN ELECTRONICS PLASTIC CO., LTD.
TEL: 0769-86389901-2 FAX: 0769-86389903

