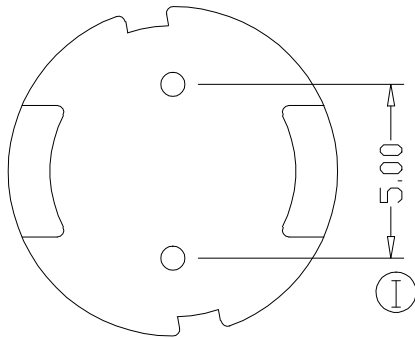
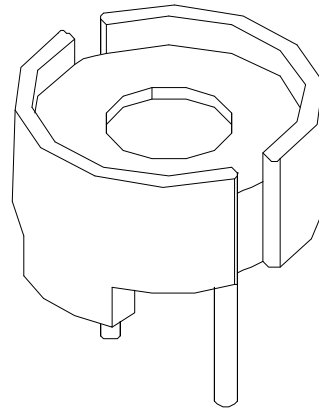
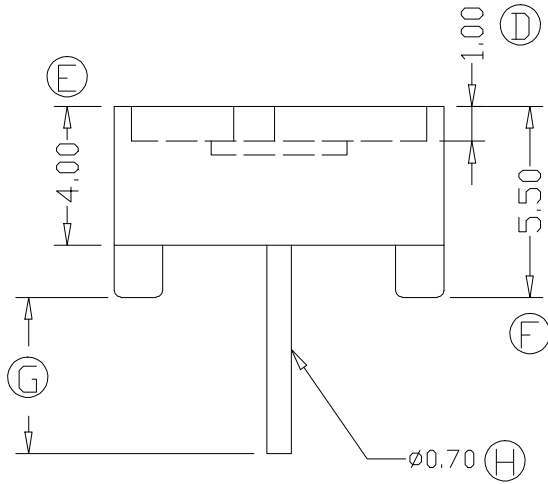
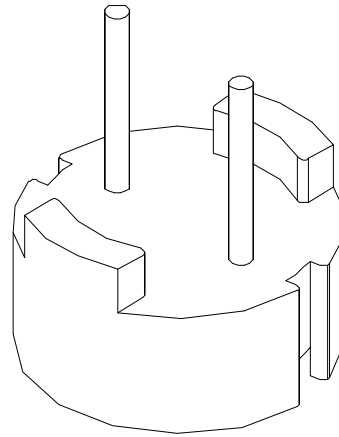
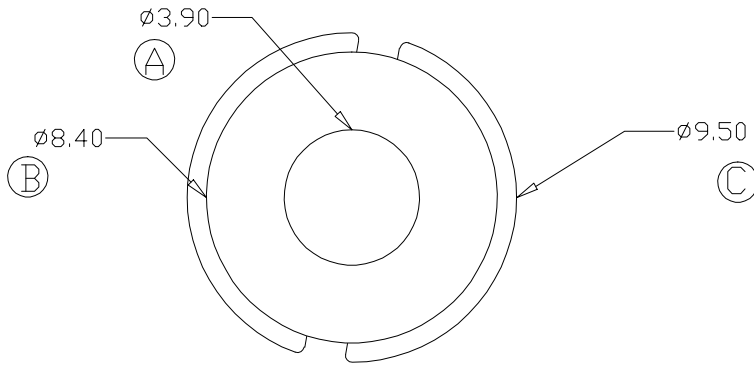


ZX-B001



REV.	REVISIONS REC.		DATE	REV.	REVISIONS REC.		DATE	
1				4				
2				5				
3				6				
DRAWN & DRAFTED BY	LIU WEI QIANG	TOLERANCES		ANGLE:	TITLE: BASE(2P)			
CHECKED & APPROVED BY	MA BU JIAN	$0 < L \leq 4 \pm 0.1$ $4 < L \leq 16 \pm 0.2$ $16 < L \leq 63 \pm 0.3$	pin pitch ± 0.2	$\pm 1^\circ$	BOBBIN MATERIAL:	PHENOLIC	UL REC. UL 94V-0	
				UNIT:	MM	PIN MATERIAL:	CP WIRE	
				SCALE:			PIN TENSION LOAD: 1.0KG MIN	
智信电子塑胶有限公司 ZHI XIN ELECTRONICS PLASTIC CO., LTD. TEL:0769-86389901-2 FAX:0769-86389903					DATE:	2006.04.06	DRAWING NO.	ZX-B001
							REV.	A01