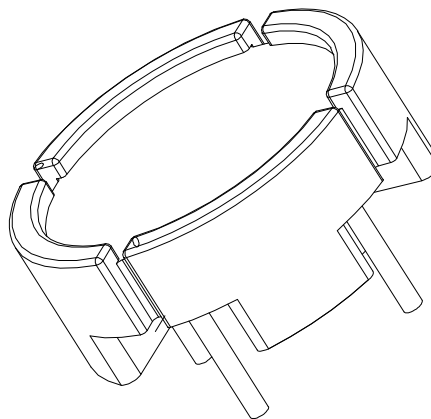
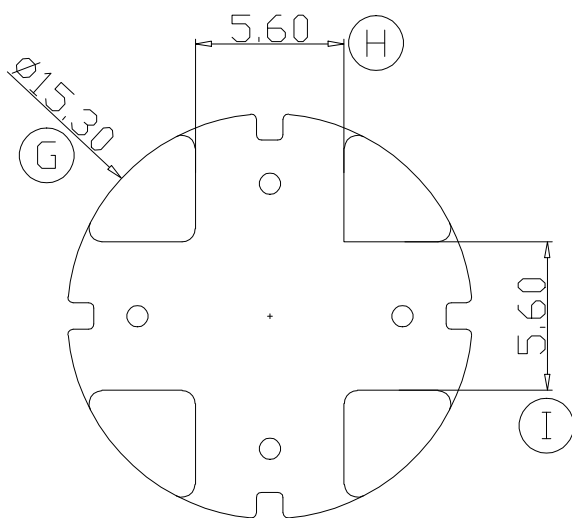
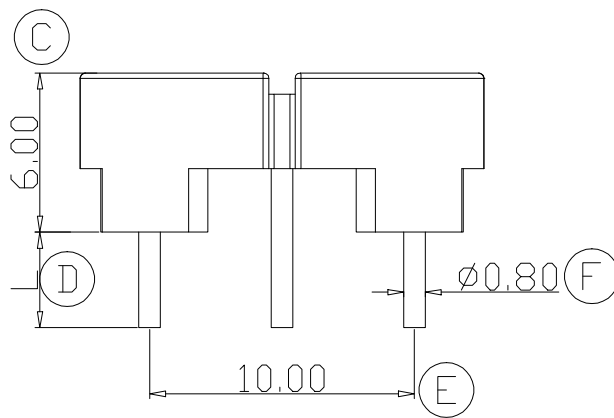
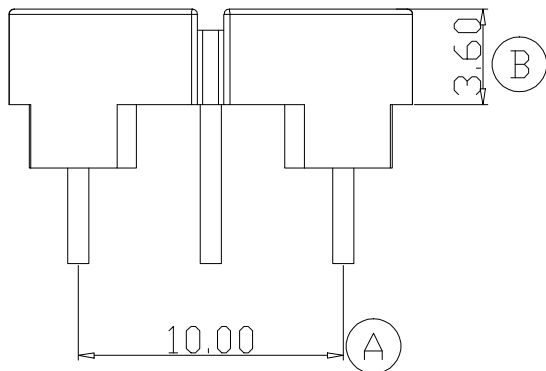


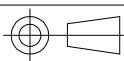
ZX-B013



REV.	REVISIONS REC.		DATE	REV.	REVISIONS REC.		DATE
1				4			
2				5			
3				6			
DRAWN & DRAFTED BY		LIU WEI QIANG		TOLERANCES		ANGLE: $\pm 1^\circ$	
CHECKED & APPROVED BY		MA BU JIAN		pin pitch		TITLE: BASE(4P)	
		0 < L ≤ 4 ±0.1		4 < L ≤ 16 ±0.2		BOBBIN MATERIAL: PHENOLIC	
		16 < L ≤ 63 ±0.3		±0.2		UL REC. UL 94V-0	
				UNIT: MM		PIN MATERIAL: CP WIRE	
				SCALE:		PIN TENSION LOAD: 1.2KG MIN.	
				DATE: 2005.12.14		DRAWING NO. ZX-B013	
				REV. A01			



智信电子塑胶有限公司
ZHI XIN ELECTRONICS PLASTIC CO., LTD.
 TEL:0769-86389901-2 FAX:0769-86389903



DATE: 2005.12.14

DRAWING NO.

ZX-B013

REV. A01