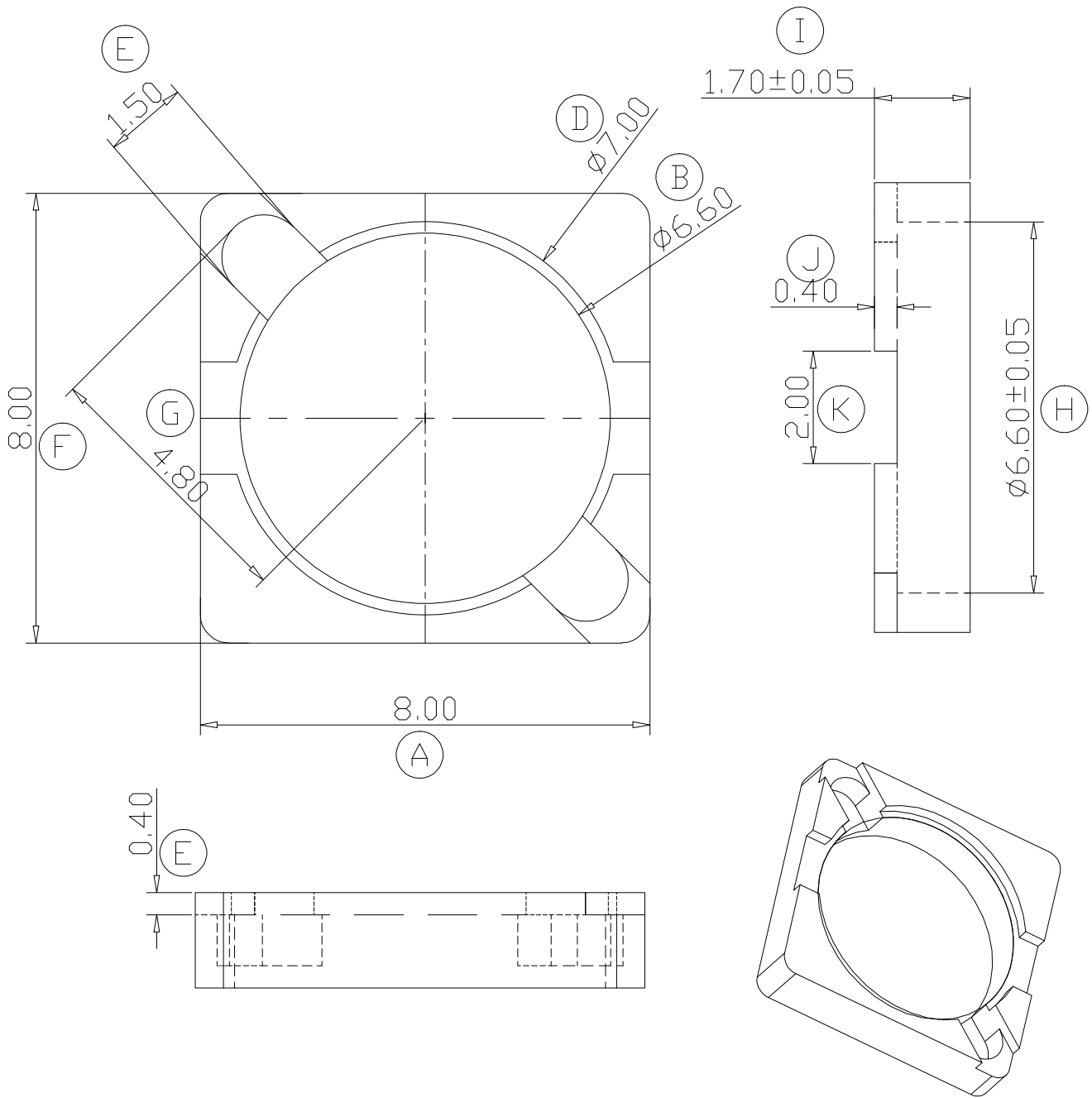


ZX-B037



REV.	REVISIONS REC.		DATE	REV.	REVISIONS REC.		DATE
1				4			
2				5			
3				6			
DRAWN & DRAFTED BY		LIU WEI QIANG	TOLERANCES		ANGLE:		TITLE:
CHECKED & APPROVED BY		MA BU JIAN	0<L≤4 ±0.1	pin pitch ±0.2	±1°		BASE
			4<L≤16 ±0.2		UNIT:	BOBBIN MATERIAL:	
			16<L≤63 ±0.3	MM	PHENOLIC	UL 94V-0	
				SCALE:	PIN MATERIAL:	PIN TENSION LOAD:	
		<b>智信电子塑胶有限公司</b> ZHI XIN ELECTRONICS PLASTIC CO., LTD. TEL:0769-86389901-2 FAX:0769-86389903			DATE:	DRAWING NO.	REV.
					2012.03.06	ZX-B037	A01