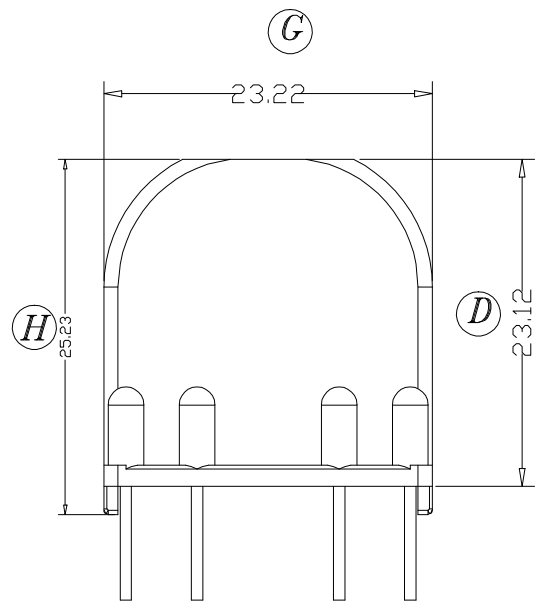
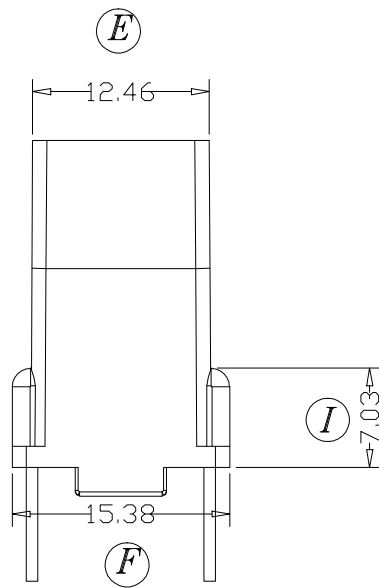
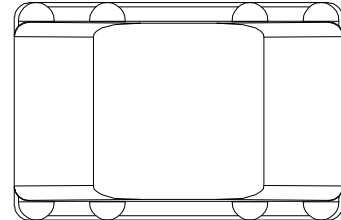
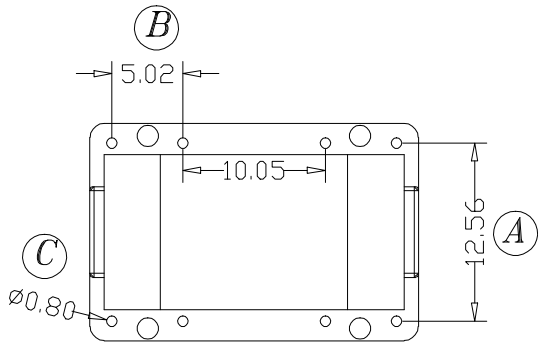


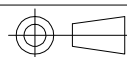
ZX-B040



REV.	REVISIONS	REC.	DATE	REV.	REVISIONS	REC.	DATE
1				4			
2				5			
3				6			
DRAWN & DRAFTED BY		LIU WEI QIANG		TOLERANCES		ANGLE: $\pm 1^\circ$	
CHECKED & APPROVED BY		MA BU JIAN		pin pitch		TITLE: BASE(4+4P)	
		0<L≤4 ±0.1		UNIT: MM		BOBBIN MATERIAL: PET	
		4<L≤16 ±0.2		SCALE:		UL REC. UL 94V-0	
		16<L≤63 ±0.3		DATE: 2009.04.03		PIN MATERIAL: CP WIRE	
				DRAWING NO. ZX-B040		PIN TENSION LOAD: 1.2KG MIN	
				REV. A01			



智信电子塑胶有限公司
ZHI XIN ELECTRONICS PLASTIC CO., LTD.
 TEL:0769-86389901-2 FAX:0769-86389903



DATE: 2009.04.03
 DRAWING NO. ZX-B040
 REV. A01