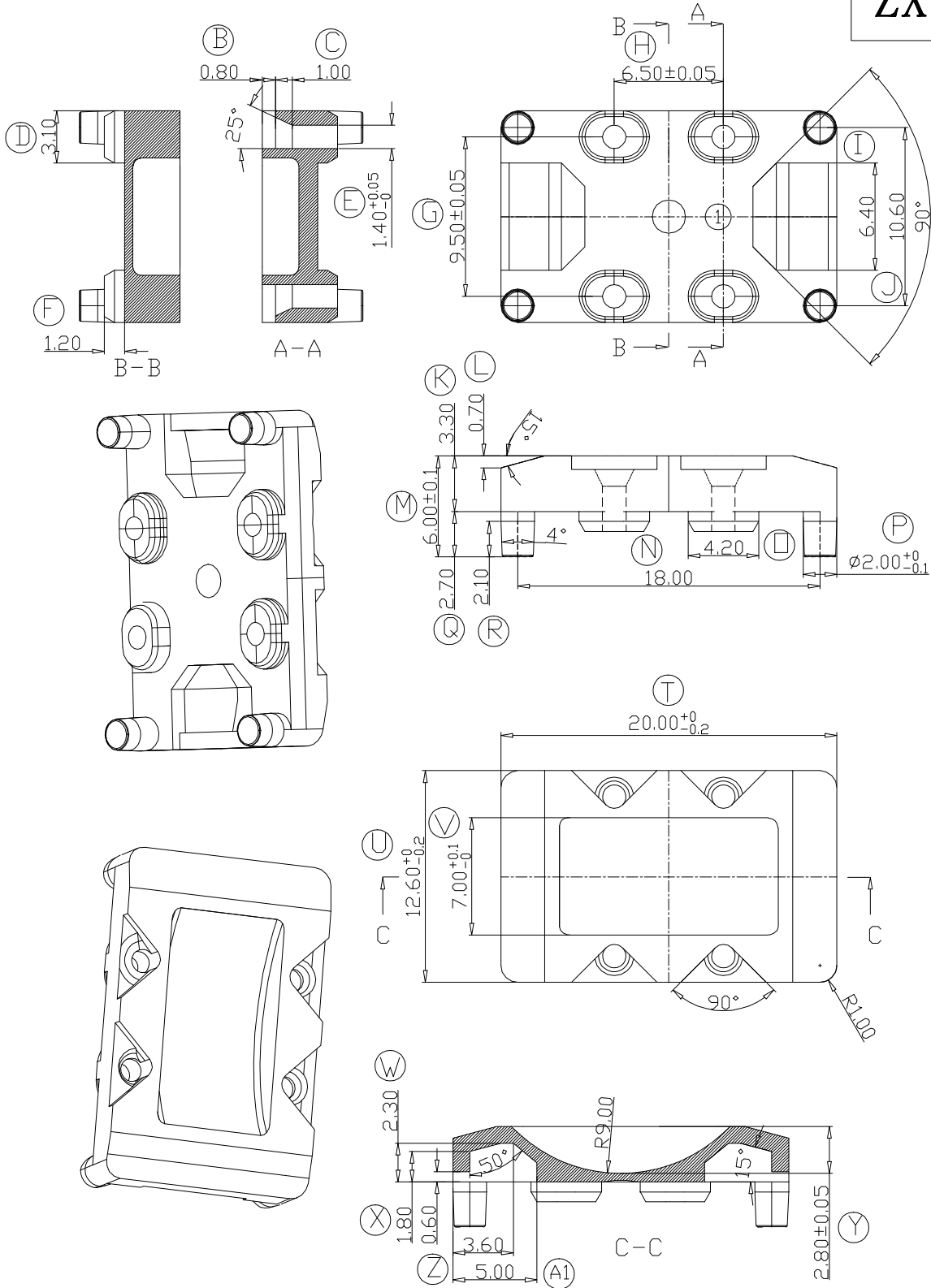


ZX-B042



REV.	REVISIONS REC.		DATE	REV.	REVISIONS REC.		DATE
1				4			
2				5			
3				6			
DRAWN & DRAFTED BY	LIU WEI QIANG		TOLERANCES	ANGLE:	TITLE: BASE		
CHECKED & APPROVED BY	MA BU JIAN		0<L≤4 ±0.1 4<L≤16 ±0.2 16<L≤63 ±0.3	±1°	BOBBIN MATERIAL:	PLASTIC	UL REC. UL 94V-0
			pin pitch ±0.2	UNIT: MM	PIN MATERIAL:		PIN TENSION LOAD:
				SCALE:			
智信电子塑胶有限公司 ZHI XIN ELECTRONICS PLASTIC CO., LTD. TEL:0769-86389901-2 FAX:0769-86389903				DATE: 2012.07.19	DRAWING NO. ZX-B042	REV. A01	