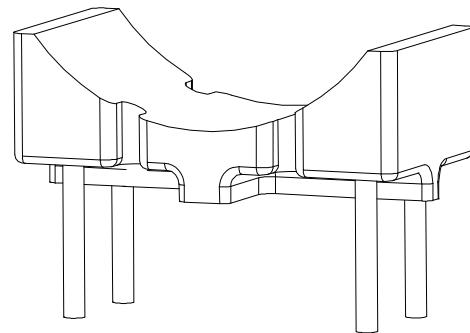
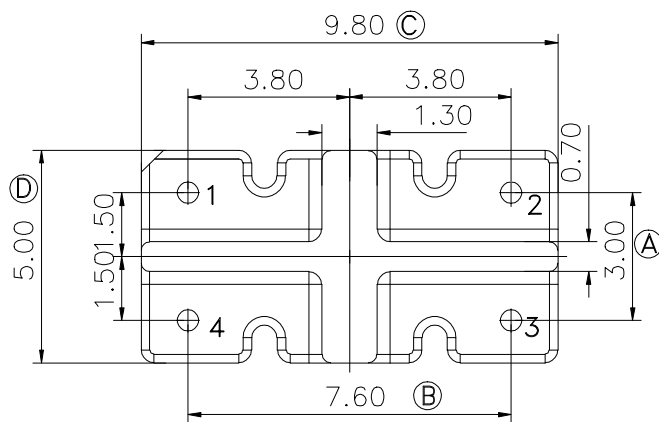
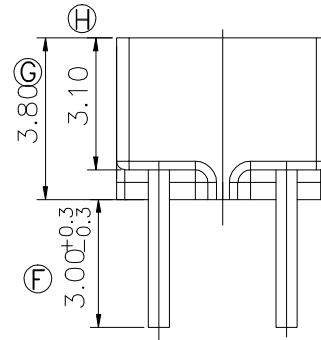
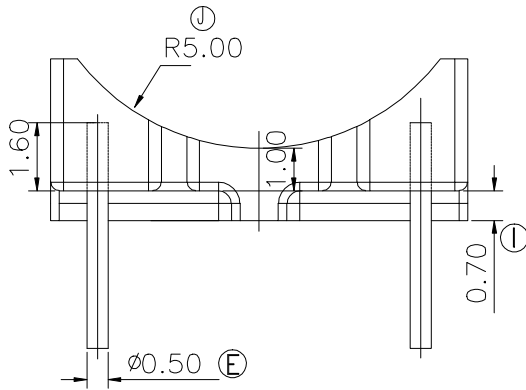


ZX-B049



REV.	REVISIONS REC.		DATE	REV.	REVISIONS REC.		DATE
1				4			
2				5			
3				6			
DRAWN & DRAFTED BY	LIU WEI QIANG	TOLERANCES		ANGLE:	TITLE: BASE(2+2P)		
CHECKED & APPROVED BY	MA BU JIAN	0 $L \le 4$ ± 0.1	pin pitch	$\pm 1^\circ$	BOBBIN MATERIAL:	PHENOLIC	UL REC. UL 94V-0
		4 $L \le 16$ ± 0.2	± 0.2	UNIT:	MM	PIN MATERIAL:	CP WIRE
		16 $L \le 63$ ± 0.3	± 0.2	SCALE:		PIN TENSION LOAD:	0.8kg MIN.
	智信电子塑胶有限公司 ZHI XIN ELECTRONICS PLASTIC CO., LTD. TEL:0769-86389901-2 FAX:0769-86389903				DATE:	DRAWING NO.	REV.
					2009.09.14	ZX-B049	A01