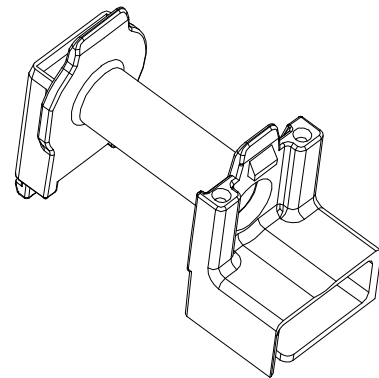
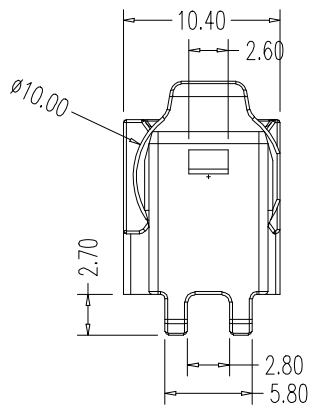
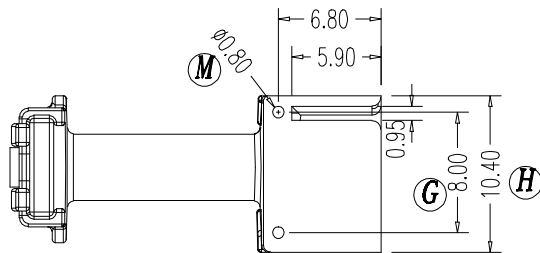
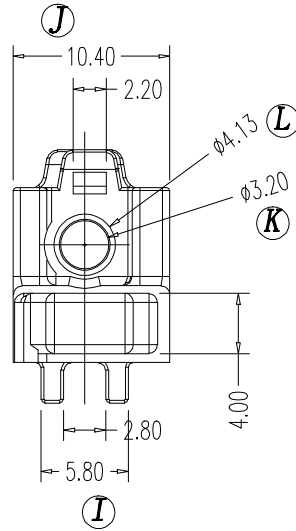
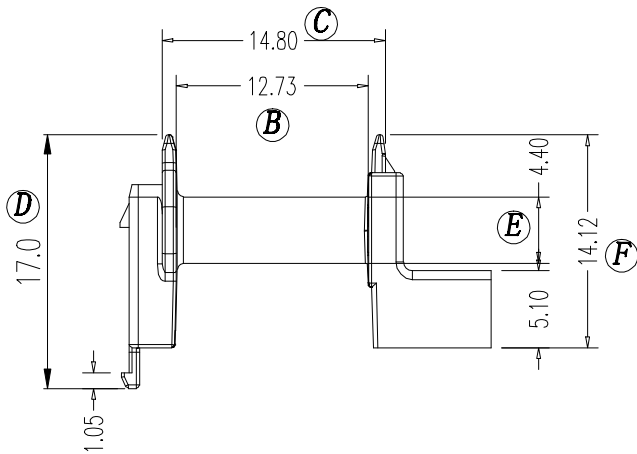
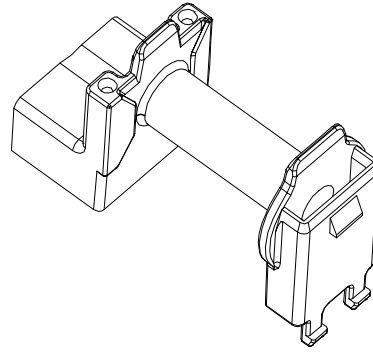
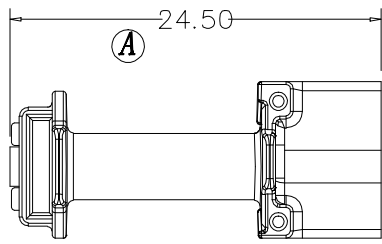


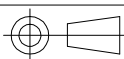
# ZX-B050



| REV.                  | REVISIONS REC. |               | DATE | REV.                | REVISIONS REC. |                           | DATE |
|-----------------------|----------------|---------------|------|---------------------|----------------|---------------------------|------|
| 1                     |                |               |      | 4                   |                |                           |      |
| 2                     |                |               |      | 5                   |                |                           |      |
| 3                     |                |               |      | 6                   |                |                           |      |
| DRAWN & DRAFTED BY    |                | LIU WEI QIANG |      | TOLERANCES          |                | ANGLE: $\pm 1^\circ$      |      |
| CHECKED & APPROVED BY |                | MA BU JIAN    |      | pin pitch           |                | TITLE: BASE               |      |
|                       |                |               |      | 0 < L ≤ 4 ± 0.1     |                | BOBBIN MATERIAL: PHENOLIC |      |
|                       |                |               |      | 4 < L ≤ 16 ± 0.2    |                | UL REC. UL 94V-0          |      |
|                       |                |               |      | 16 < L ≤ 63 ± 0.3   |                | PIN MATERIAL:             |      |
|                       |                |               |      | UNIT: MM            |                | PIN TENSION LOAD:         |      |
|                       |                |               |      | SCALE:              |                | DATE: 2006.12.14          |      |
|                       |                |               |      | DRAWING NO. ZX-B050 |                | REV. A01                  |      |



**智信电子塑胶有限公司**  
**ZHI XIN ELECTRONICS PLASTIC CO., LTD.**  
 TEL: 0769-86389901-2 FAX: 0769-86389903



DATE: 2006.12.14

DRAWING NO. ZX-B050

REV. A01