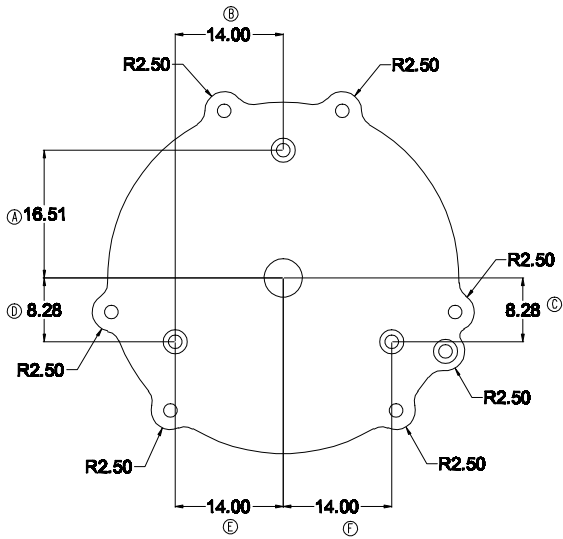
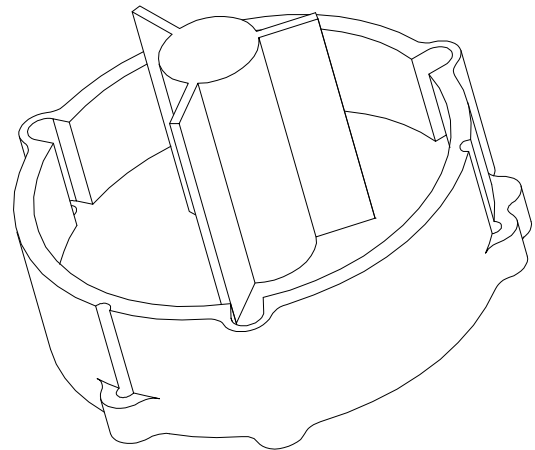
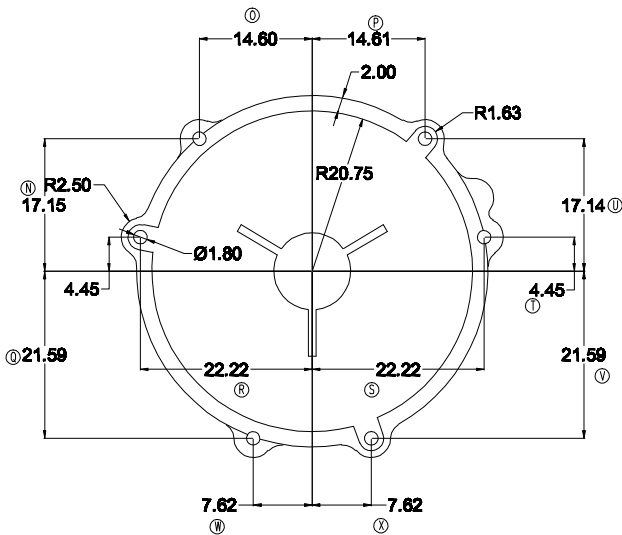
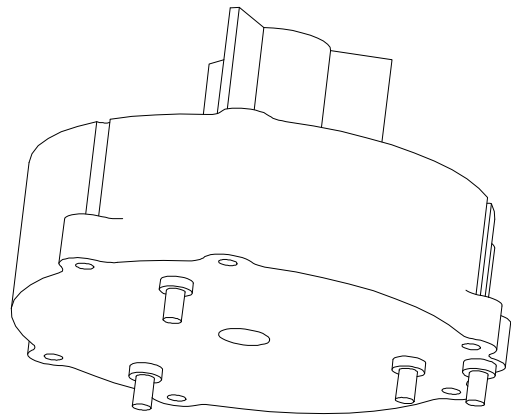
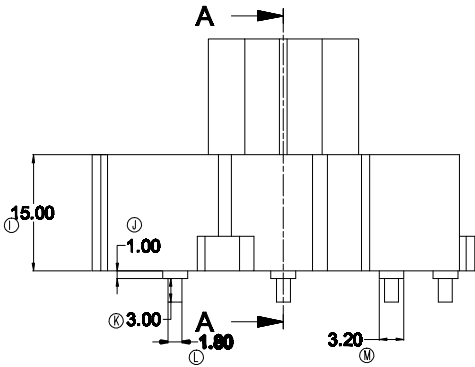
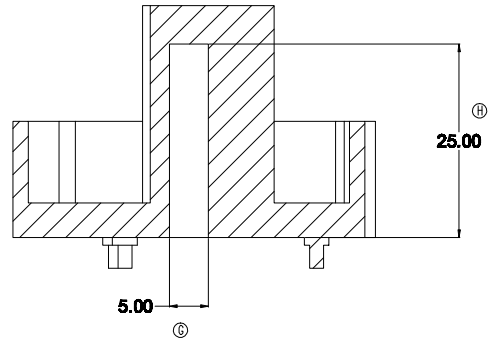


ZX-B051



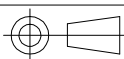
A-A (1.5)



REV.	REVISIONS	REC.	DATE	REV.	REVISIONS	REC.	DATE
1				4			
2				5			
3				6			
DRAWN & DRAFTED BY		LIU WEI QIANG		TOLERANCES		ANGLE: $\pm 1^\circ$	
CHECKED & APPROVED BY		MA BU JIAN		0 < L ≤ 4 ± 0.1		TITLE: BASE	
				4 < L ≤ 16 ± 0.2		BOBBIN MATERIAL: PET	
				16 < L ≤ 63 ± 0.3		UL REC. UL 94V-0	
				pin pitch ± 0.2		PIN TENSION LOAD:	
				UNIT: MM			
				SCALE:		DATE: 2009.05.06	
				DRAWING NO. ZX-B051		REV. A01	



智信电子塑胶有限公司
ZHI XIN ELECTRONICS PLASTIC CO., LTD.
TEL: 0769-86389901-2 FAX: 0769-86389903



DATE: 2009.05.06

DRAWING NO. ZX-B051

REV. A01