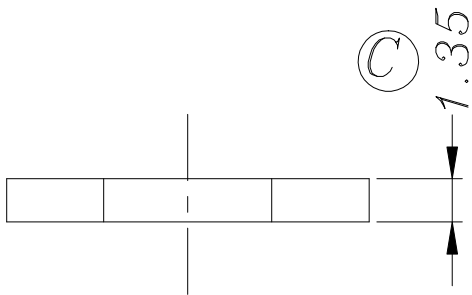
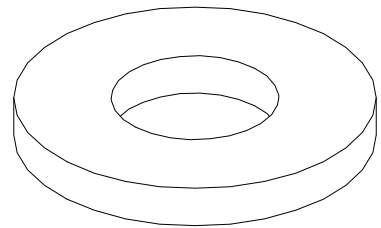
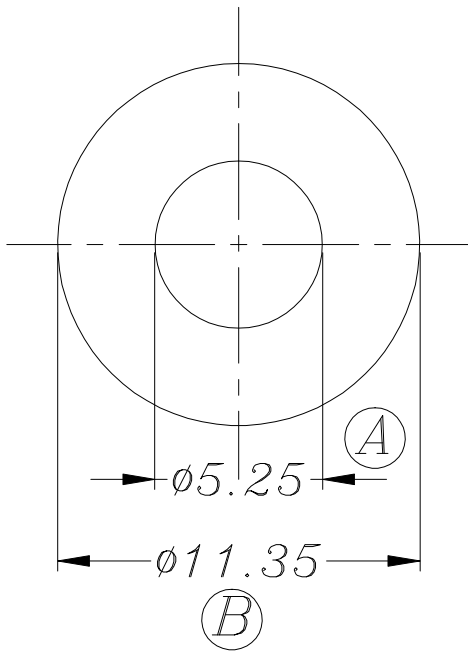


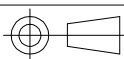
ZX-B055



REV.	REVISIONS		REC.	DATE	REV.	REVISIONS		REC.	DATE
1					4				
2					5				
3					6				
DRAWN & DRAFTED BY		LIU WEI QIANG		TOLERANCES		ANGLE:		TITLE:	
CHECKED & APPROVED BY		MA BU JIAN		0 < L ≤ 4 ±0.1		±1°		BASE	
				4 < L ≤ 16 ±0.2		UNIT:		BOBBIN MATERIAL:	
				16 < L ≤ 63 ±0.3		MM		PA66	
				pin pitch ±0.2		SCALE:		UL REC. UL 94V-0	
						PIN MATERIAL:		PIN TENSION LOAD:	
						DATE:		DRAWING NO.	
						2006.08.13		ZX-B055	
								REV. A01	



智信电子塑胶有限公司  
 ZHI XIN ELECTRONICS PLASTIC CO., LTD.  
 TEL:0769-86389901-2 FAX:0769-86389903



DATE: 2006.08.13

DRAWING NO. ZX-B055

REV. A01