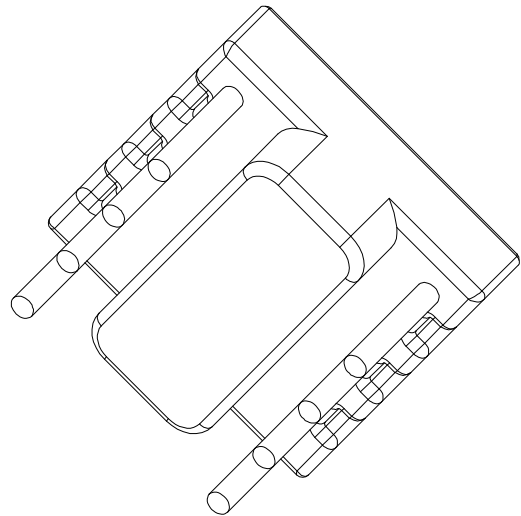
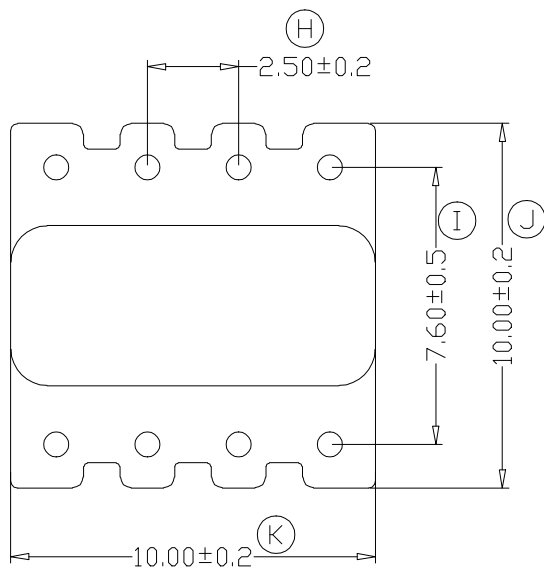
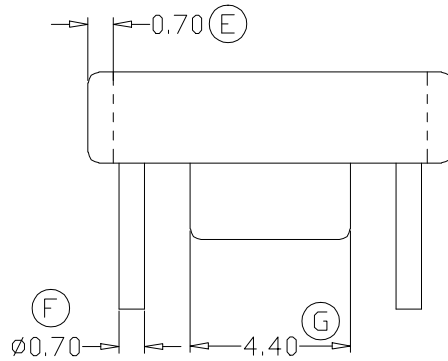
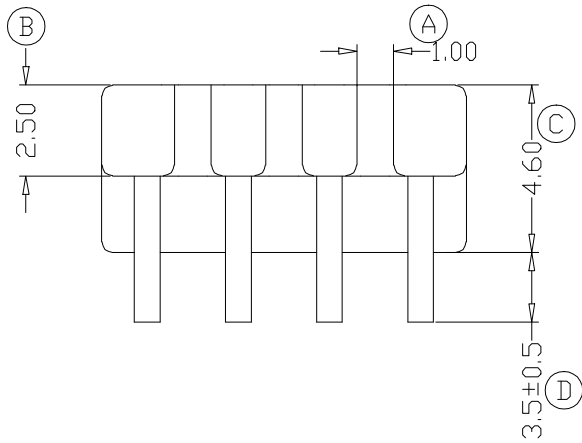


ZX-B058

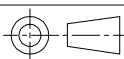


REV.	REVISIONS	REC.	DATE	REV.	REVISIONS	REC.	DATE
1			2014.06.10	4			2014.06.10
2			2014.06.10	5			
3			2014.06.10	6			
DRAWN & DRAFTED BY		LIU WEI QIANG		TOLERANCES		ANGLE: ±1°	
CHECKED & APPROVED BY		MA BU JIAN		pin pitch ±0.2		TITLE: BASE(4+4P)	
		0<L≤4 ±0.1		UNIT: MM		BOBBIN MATERIAL: PHENOLIC	
		4<L≤16 ±0.2		SCALE:		UL REC. UL 94V-0	
		16<L≤63 ±0.3		DATE: 2014.09.18		PIN MATERIAL: CP WIRE	
				DRAWING NO. ZX-B058		PIN TENSION LOAD: 1.2KG MIN	
				REV. A01			



智信电子塑胶有限公司

ZHI XIN ELECTRONICS PLASTIC CO., LTD.
TEL:0769-86389901-2 FAX:0769-86389903



DATE: 2014.09.18

DRAWING NO. ZX-B058

REV. A01