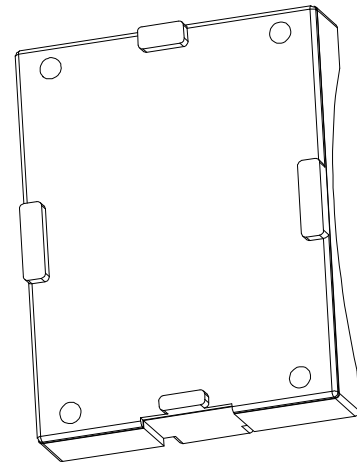
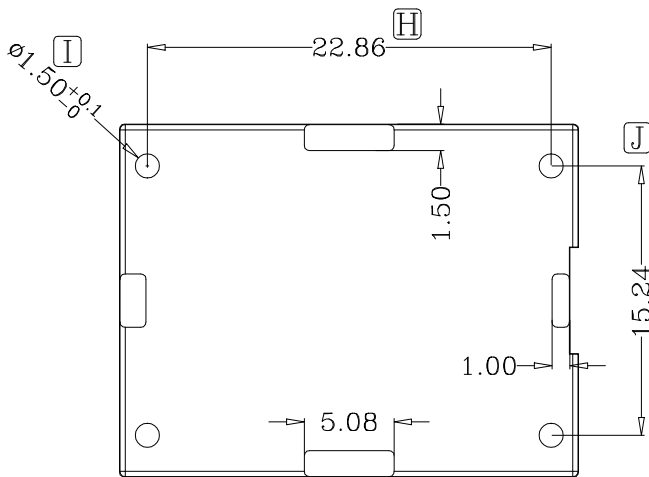
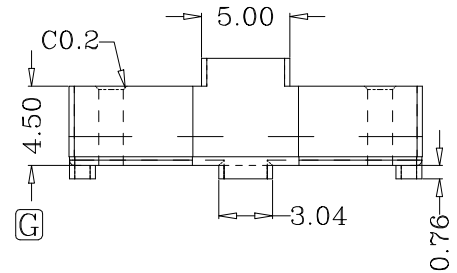
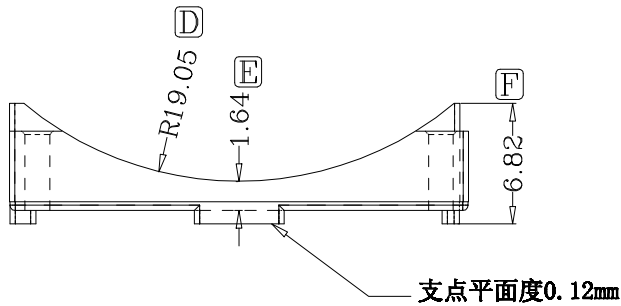
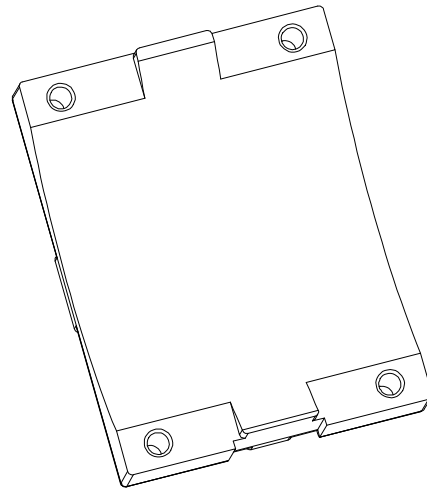
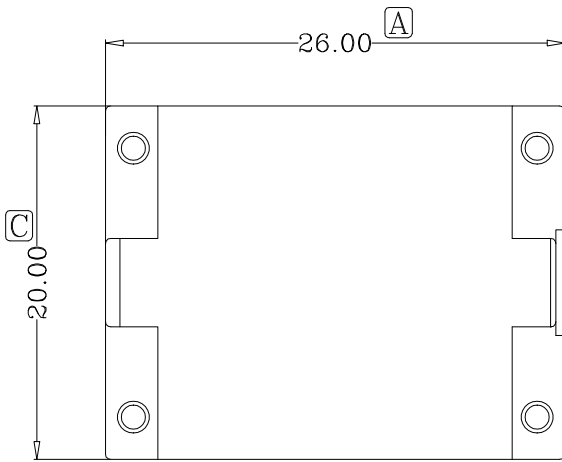


ZX-B065



对应的ZX-B066

REV.	REVISIONS REC.	DATE	REV.	REVISIONS REC.	DATE
1			4		
2			5		
3			6		
DRAWN & DRAFTED	LIU WEI QIANG	TOLERANCES		ANGLE:	TITLE: BASE
CHECKED & APPROVED BY	MA BU JIAN	0<L<4 ±0.1	pin pitch	±1°	BOBBIN MATERIAL: PHENOLIC
		4<L<16 ±0.2		UNIT: MM	UL REC. UL 94V-0
		16<L<63 ±0.3	±0.2	SCALE:	PIN MATERIAL:
智信电子塑胶有限公司		SCALE:		DATE: 2016.06.02	PIN TENSION LOAD:
ZHI XIN ELECTRONICS PLASTIC CO., LTD.		SCALE:		DRAWING NO. ZX-B065	REV. A01
TEL:0769-86389901-2 FAX:0769-86389903		SCALE:			