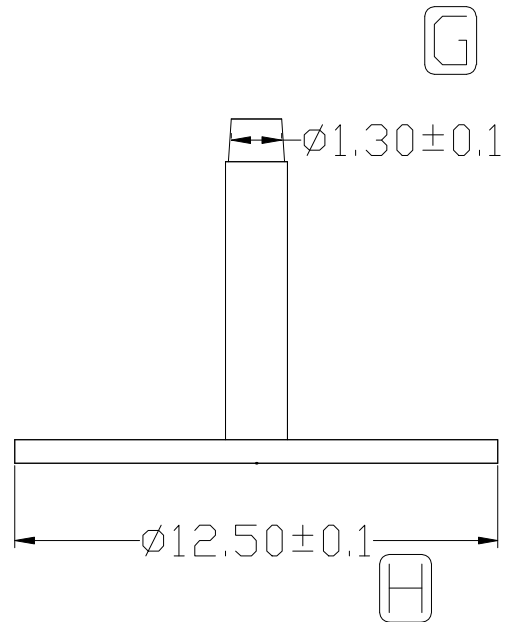
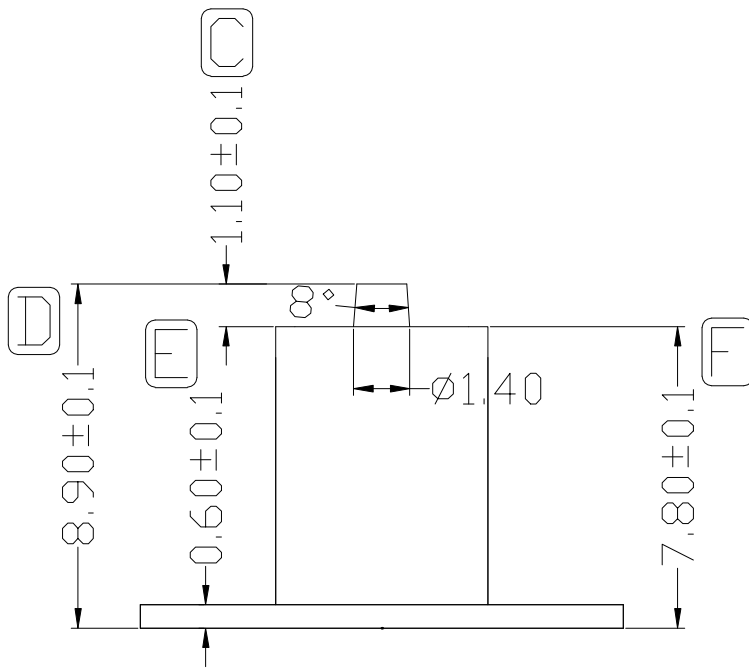
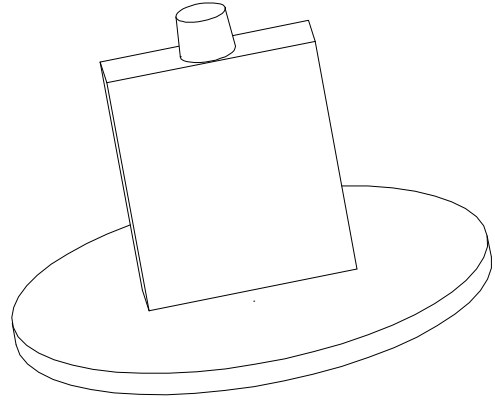
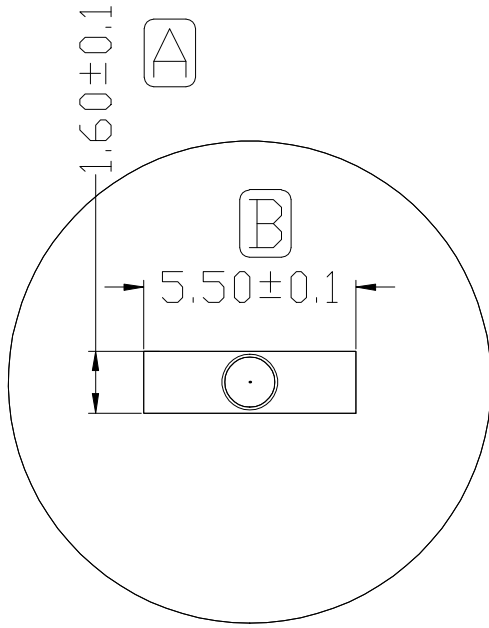


ZX-B070



REV.	REVISIONS REC.		DATE	REV.	REVISIONS REC.		DATE						
1				4									
2				5									
3				6									
DRAWN & DRAFTED BY		LIU WEI QIANG		TOLERANCES		ANGLE: ±1°							
CHECKED & APPROVED BY		MA BU JIAN		<table border="1"> <tr> <td>0 &lt; L ≤ 4</td> <td>±0.1</td> </tr> <tr> <td>4 &lt; L ≤ 16</td> <td>±0.2</td> </tr> <tr> <td>16 &lt; L ≤ 63</td> <td>±0.3</td> </tr> </table> pin pitch ±0.2		0 < L ≤ 4	±0.1	4 < L ≤ 16	±0.2	16 < L ≤ 63	±0.3	UNIT: MM	
0 < L ≤ 4	±0.1												
4 < L ≤ 16	±0.2												
16 < L ≤ 63	±0.3												
TITLE: <b>BASE</b>				BOBBIN MATERIAL: LCPE4008		UL REC. UL 94V-0							
SCALE:				PIN MATERIAL:		PIN TENSION LOAD:							
<b>智信电子塑胶有限公司</b> ZHI XIN ELECTRONICS PLASTIC CO., LTD. TEL:0769-86389901-2 FAX:0769-86389903		DATE: 2016.06.17		DRAWING NO. ZX-B070		REV. A01							