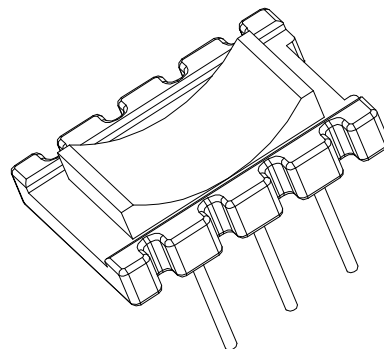
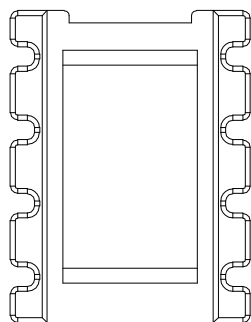
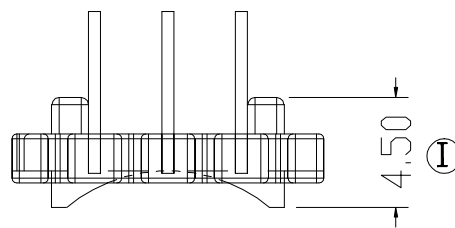
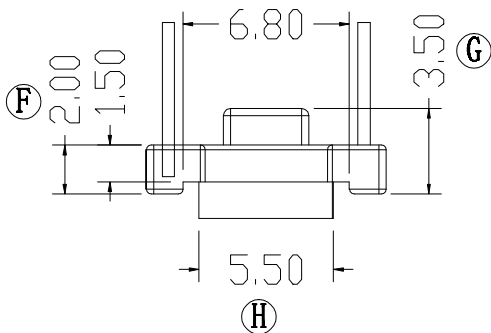
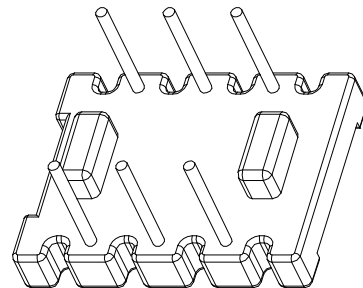
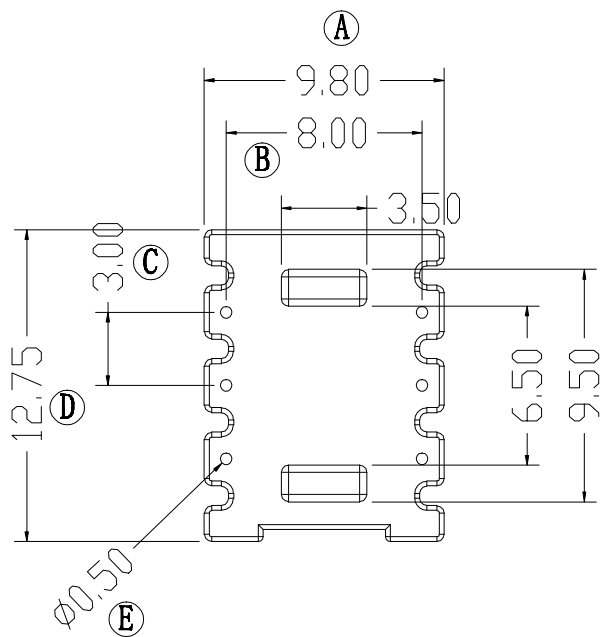


ZX-B078



| REV.                  | REVISIONS REC. |              | DATE           | REV.   | REVISIONS REC.            |                             | DATE     |
|-----------------------|----------------|--------------|----------------|--------|---------------------------|-----------------------------|----------|
| 1                     |                |              |                | 4      |                           |                             |          |
| 2                     |                |              |                | 5      |                           |                             |          |
| 3                     |                |              |                | 6      |                           |                             |          |
| DRAWN & DRAFTED BY    | LIU WEI QIANG  | TOLERANCES   |                | ANGLE: | TITLE: <b>BASE (3+3P)</b> |                             |          |
| CHECKED & APPROVED BY | LI QI YI       | 0<L≤4 ±0.1   | pin pitch ±0.2 | UNIT:  | BOBBIN MATERIAL: PHENOLIC | UL REC. UL 94V-0            |          |
|                       |                | 4<L≤16 ±0.2  |                | SCALE: | PIN MATERIAL: CP WIRE     | PIN TENSION LOAD: 0.8KG MIN |          |
|                       |                | 16<L≤63 ±0.3 |                |        | DATE: 2017.11.04          | DRAWING NO. ZX-B078         | REV. A01 |



智信电子塑胶有限公司

ZHI XIN ELECTRONICS PLASTIC CO., LTD.  
TEL:0769-86389901-2 FAX:0769-86389903

