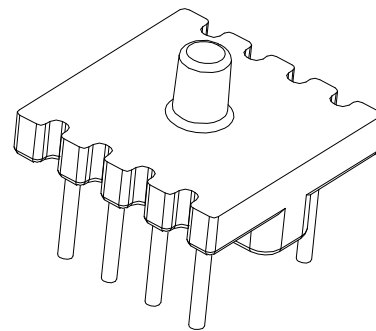
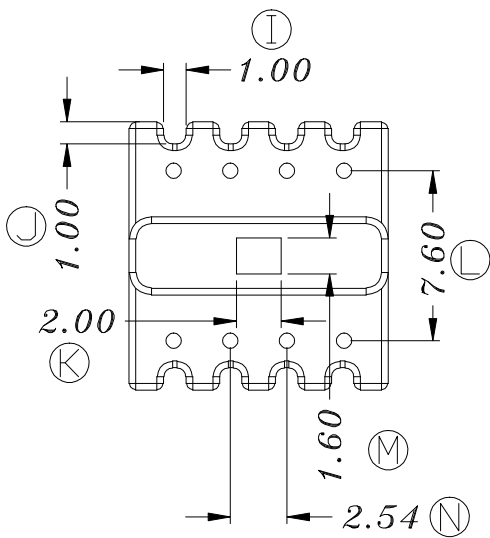
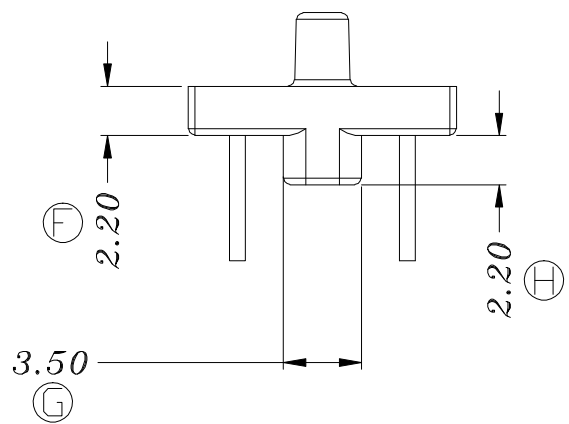
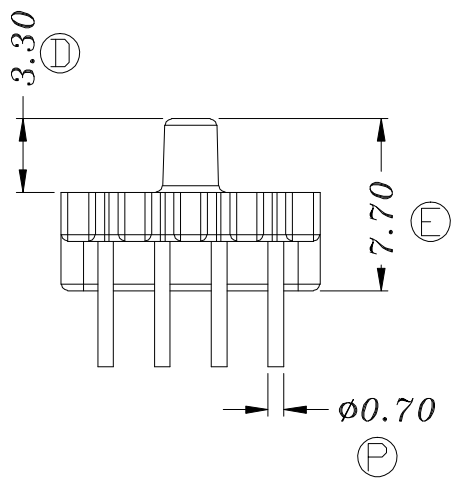
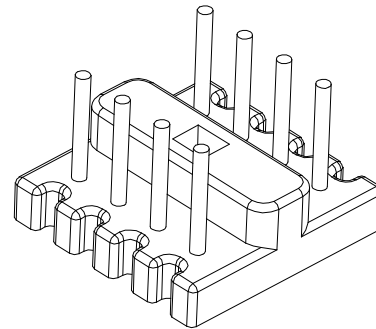
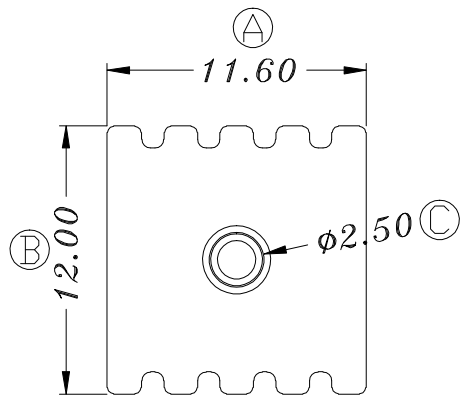


ZX-B086



REV.	REVISIONS	REC.	DATE	REV.	REVISIONS	REC.	DATE
1				4			
2				5			
3				6			
DRAWN & DRAFTED BY	LIU WEI QIANG		TOLERANCES		ANGLE:	TITLE: BASE(4+4P)	
CHECKED & APPROVED BY	LI JUN		0<L≤4 ±0.1	pin pitch ±0.2	±1°	UL REC. UL 94V-0	
			4<L≤16 ±0.2		UNIT: MM	BOBBIN MATERIAL: PM9820	PIN TENSION LOAD: 1.0KG MIN
			16<L≤63 ±0.3		SCALE:	PIN MATERIAL: CP WIRE	
<b>智信电子塑胶有限公司</b> ZHI XIN ELECTRONICS PLASTIC CO., LTD. TEL:0769-86389901-2 FAX:0769-86389903				DATE: 2018.07.12		DRAWING NO. ZX-B086	
						REV. A01	