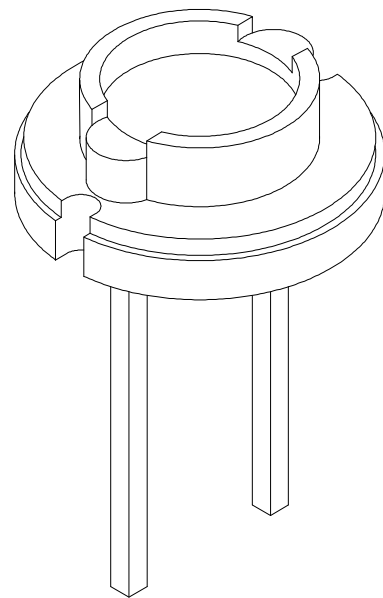
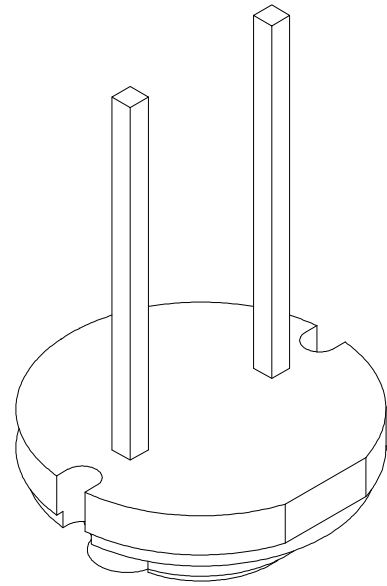
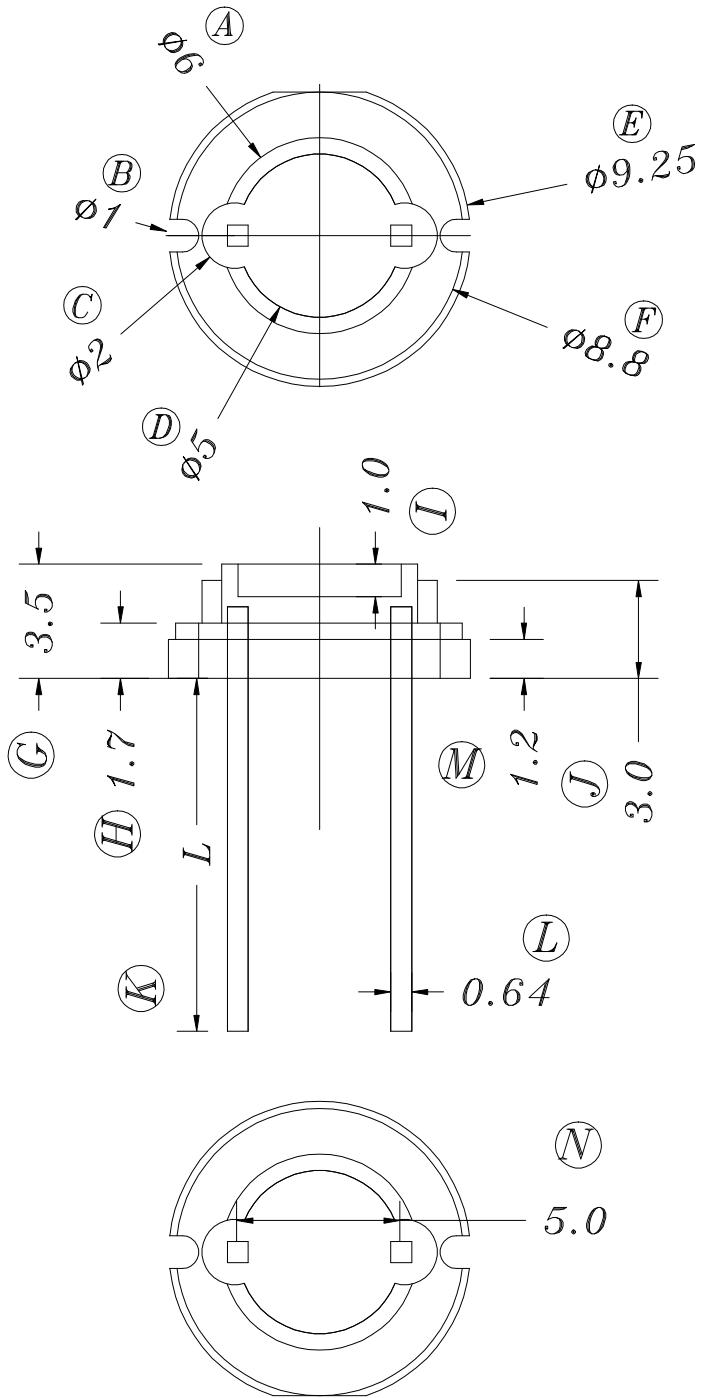


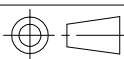
ZX-B106



REV.	REVISIONS	REC.	DATE	REV.	REVISIONS	REC.	DATE
1				4			
2				5			
3				6			
DRAWN & DRAFTED BY		LIU WEI QIANG		TOLERANCES		ANGLE: $\pm 1^\circ$	
CHECKED & APPROVED BY		ZHANG YONG		pin pitch		TITLE: BASE(2P)	
				UNIT: MM		BOBBIN MATERIAL: PHENOLIC	
				SCALE:		UL REC. UL 94V-0	
				DATE: 2018.12.08		PIN MATERIAL: CP WIRE	
				DRAWING NO. ZX-B106		PIN TENSION LOAD: 1.0KG MIN	
				REV. A01			



智信电子塑胶有限公司
ZHI XIN ELECTRONICS PLASTIC CO., LTD.
TEL:0769-86389901-2 FAX:0769-86389903



DATE: 2018.12.08

DRAWING NO. ZX-B106

REV. A01