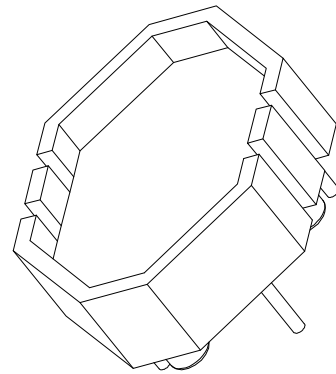
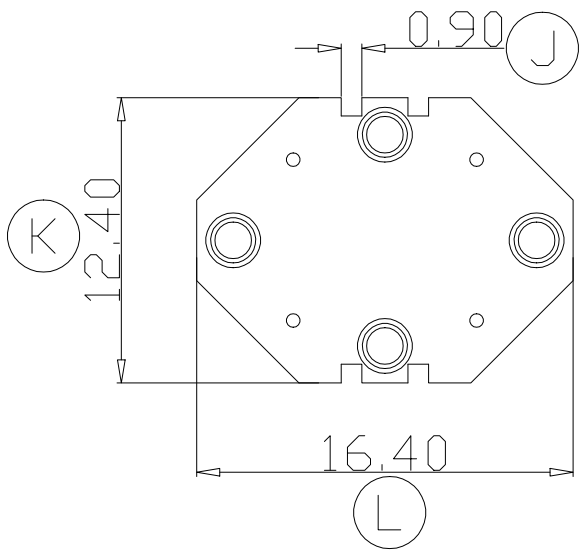
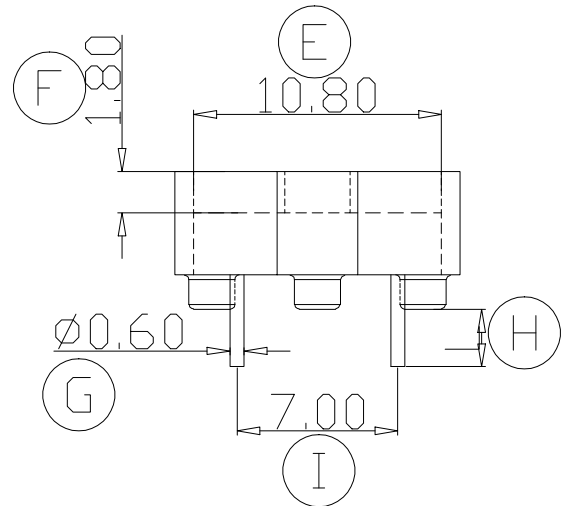
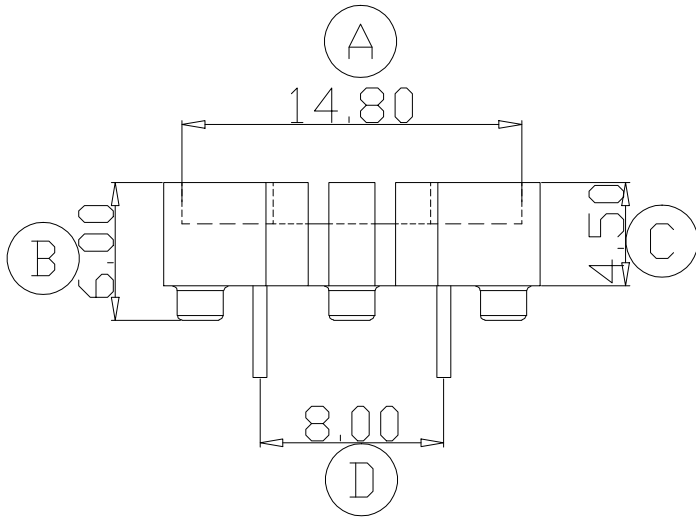


ZX-C012



REV.	REVISIONS REC.		DATE	REV.	REVISIONS REC.		DATE
1				4			
2				5			
3				6			
DRAWN & DRAFTED BY	LIU WEI QIANG	TOLERANCES		ANGLE:	TITLE: CASE(4P)		
CHECKED & APPROVED BY	LI JUN	0<L≤4 ±0.1	pin pitch	±1°	BOBBIN MATERIAL:	PHENOLIC	UL REC. UL 94V-0
		4<L≤16 ±0.2	±0.2	UNIT:			
		16<L≤63 ±0.3		MM	PIN MATERIAL:	CP WIRE	PIN TENSION LOAD: 1.2kg MIN.
SCALE:				DATE:	DRAWING NO.	REV.	
				2004.09.14	ZX-C012	A01	



智信电子塑胶有限公司
ZHI XIN ELECTRONICS PLASTIC CO., LTD.
TEL:0769-86389901-2 FAX:0769-86389903