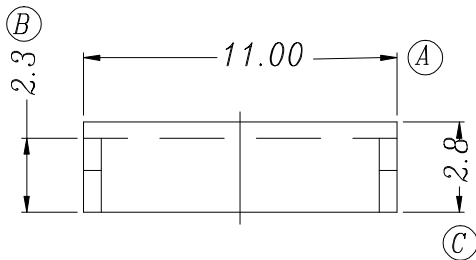
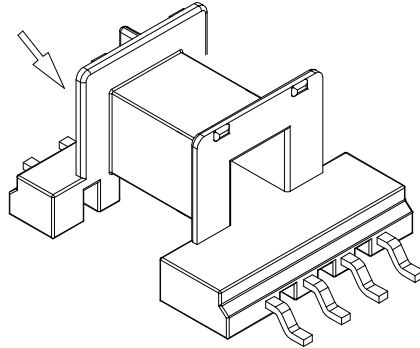
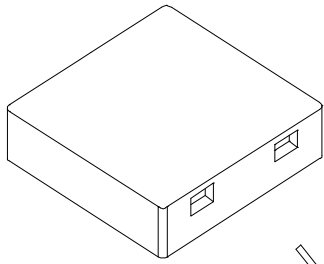
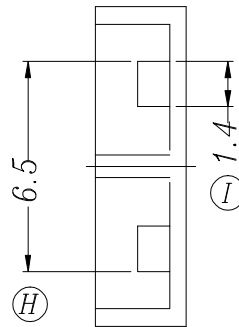
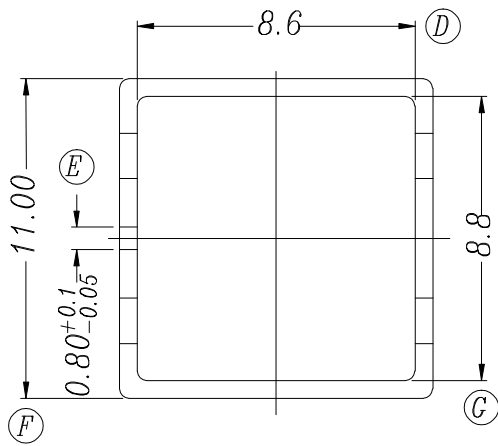
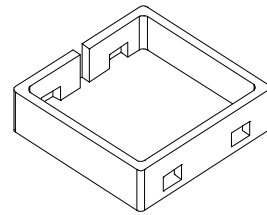


ZX-C033



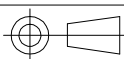
对应的ZXS-12.6B1



REV.	REVISIONS REC.		DATE	REV.	REVISIONS REC.		DATE
1				4			
2				5			
3				6			
DRAWN & DRAFTED BY		LIU WEI QIANG		TOLERANCES		ANGLE: $\pm 1^\circ$	
CHECKED & APPROVED BY		MA BU JIAN		0 < L ≤ 4 ±0.1		TITLE: CASE	
				4 < L ≤ 16 ±0.2		BOBBIN MATERIAL: PLASTIC	
				16 < L ≤ 63 ±0.3		UL REC. UL 94V-0	
				pin pitch ±0.2		PIN MATERIAL:	
				UNIT: MM		PIN TENSION LOAD:	
				SCALE:		DATE: 2005.06.05	
				DRAWING NO. ZX-C033		REV. A01	



智信电子塑胶有限公司
ZHI XIN ELECTRONICS PLASTIC CO., LTD.
TEL:0769-86389901-2 FAX:0769-86389903



DATE: 2005.06.05

DRAWING NO. ZX-C033

REV. A01