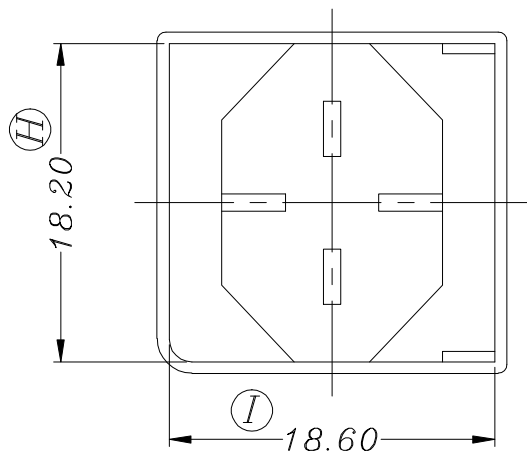
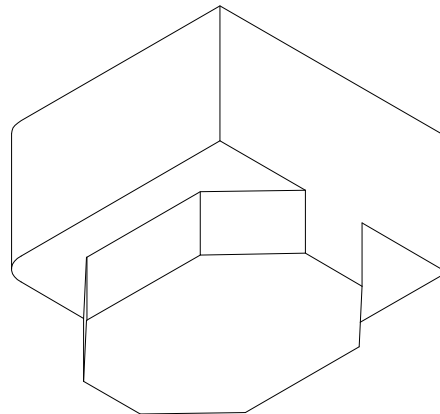
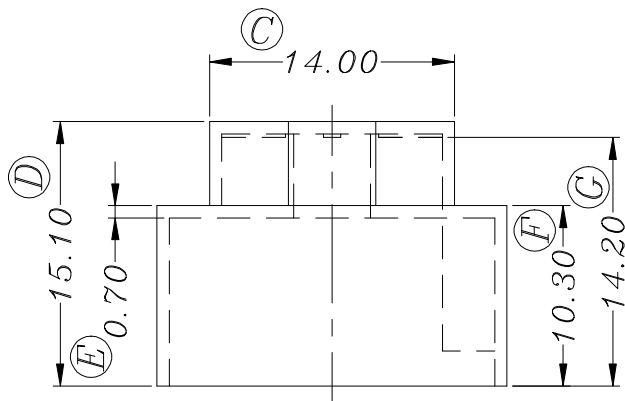
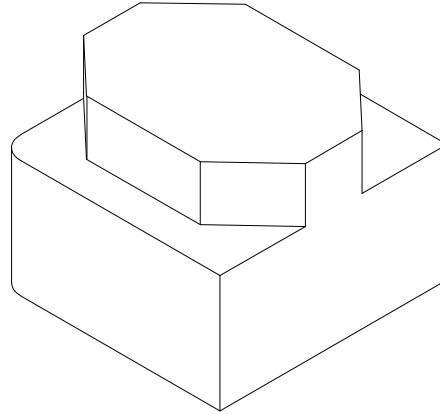
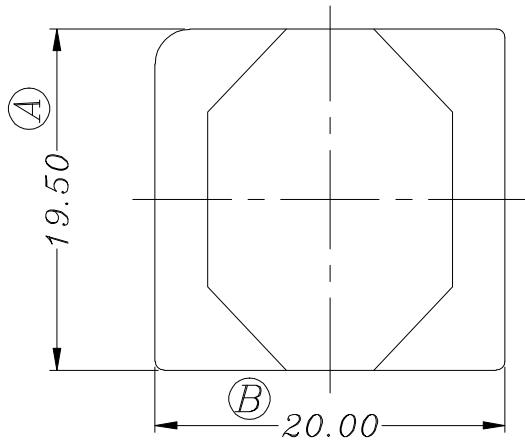


ZX-C034



REV.	REVISIONS REC.		DATE	REV.	REVISIONS REC.		DATE
1				4			
2				5			
3				6			
DRAWN & DRAFTED BY	LIU WEI QIANG	TOLERANCES		ANGLE:	TITLE: CASE		
CHECKED & APPROVED BY	MA BU JIAN	0<L≤ 4 ±0.1	pin pitch	UNIT:	BOBBIN MATERIAL: PET黑色	UL REC. UL 94V-0	
		4<L≤ 16 ±0.2	±0.2	MM	PIN MATERIAL:	PIN TENSION LOAD:	
		16<L≤ 63 ±0.3		SCALE:	DATE: 2009.06.03		
智信电子塑胶有限公司 ZHI XIN ELECTRONICS PLASTIC CO., LTD. TEL:0769-86389901-2 FAX:0769-86389903				DRAWING NO. ZX-C034		REV. A01	
				DATE: 2009.06.03		DRAWING NO. ZX-C034	