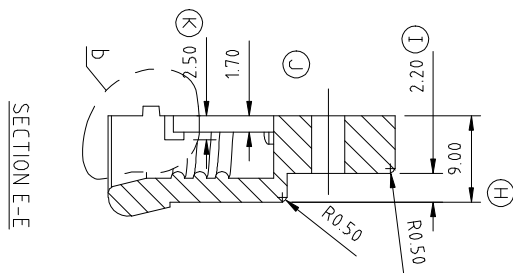
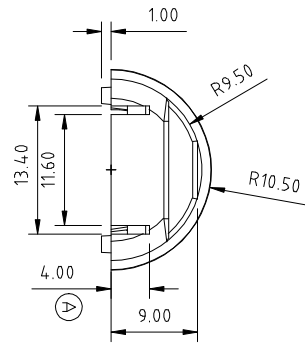
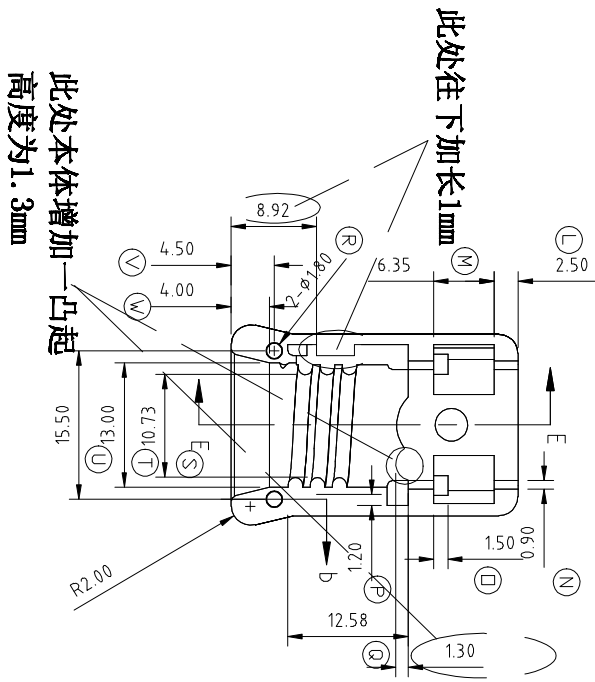
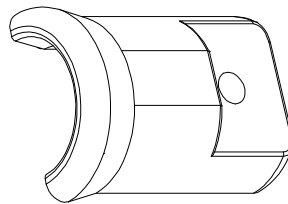
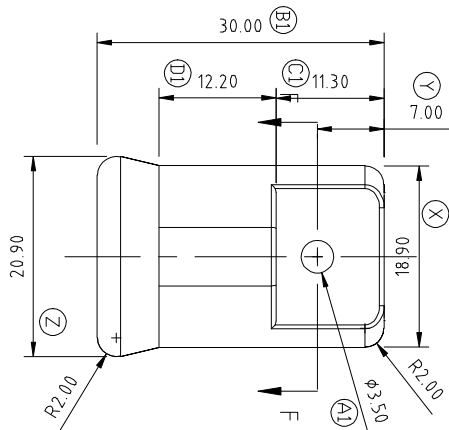
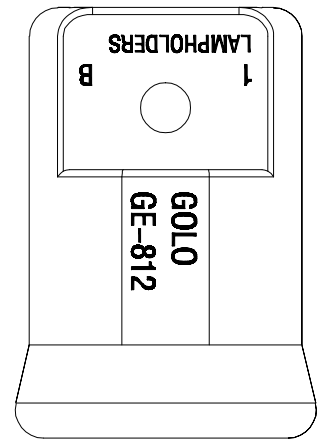
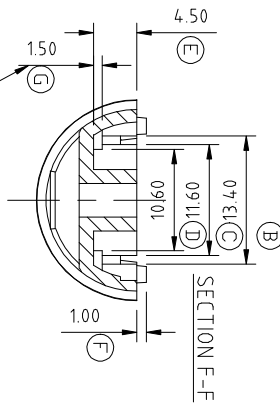


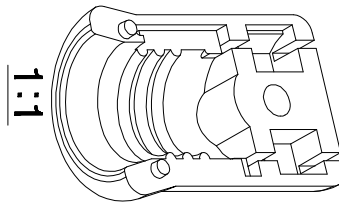
ZX-C062-1



此处由原来的0.9改为1.5



1:1



REV.	REVISIONS	REC.	DATE	REV.	REVISIONS	REC.	DATE
1	①	尺寸以之前的3.0变更为2.2		4			
2				5			
3				6			
DRAWN & DRAFTED BY LIU WEI QIANG			TOLERANCES		ANGLE: ±1°		
CHECKED & APPROVED BY MA BU JIAN			0<L≤4 ±0.1 4<L≤16 ±0.2 16<L≤63 ±0.3		pin pitch ±0.2		TITLE: CASE
ZXE 智信电子塑胶有限公司			SCALE: MM		BOBBIN MATERIAL: 电木(黑色)		UL REC. UL 94V-0
ZHI XIN ELECTRONICS PLASTIC CO., LTD.			DATE: 2013.05.25		PIN MATERIAL:		PIN TENSION LOAD:
TEL:0769-86389901-2 FAX:0769-86389903			DRAWING NO. ZX-C062-1		REV. A02		