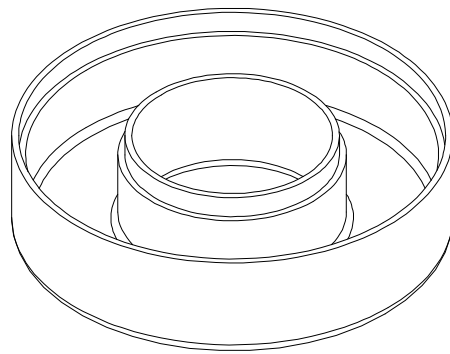
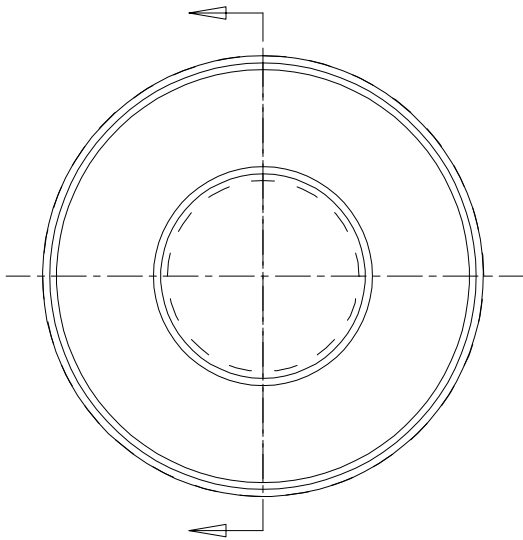
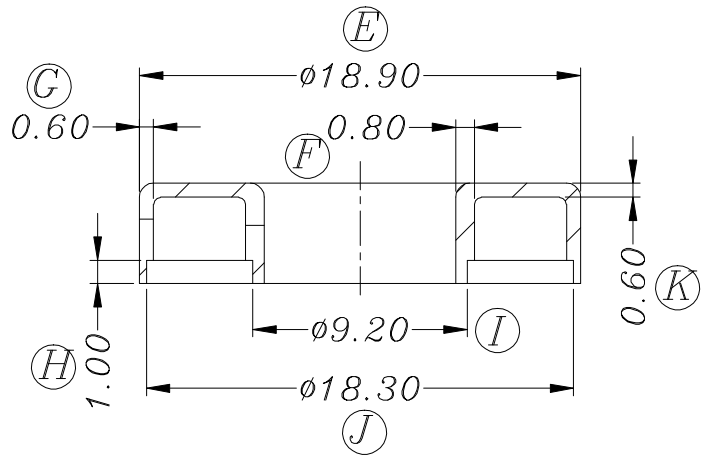
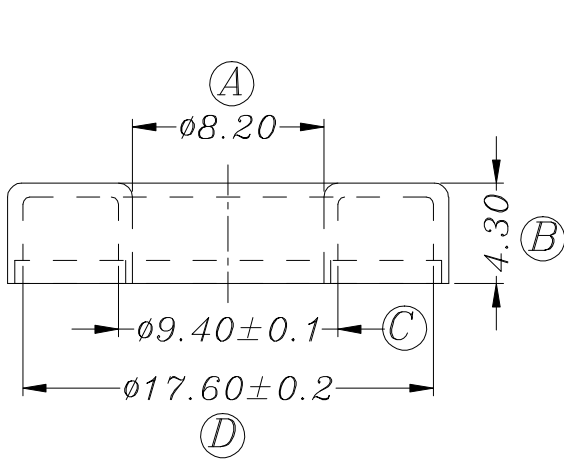

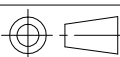


ZX-C073



REV.	REVISIONS	REC.	DATE	REV.	REVISIONS	REC.	DATE
1				4			
2				5			
3				6			
DRAWN & DRAFTED BY		LIU WEI QIANG		TOLERANCES		ANGLE: ±1°	
CHECKED & APPROVED BY		ZHANG YONG		0<L≤4 ±0.1 4<L≤16 ±0.2 16<L≤63 ±0.3		pin pitch ±0.2	
TITLE: CASE				UNIT: MM		BOBBIN MATERIAL: PBT	
SCALE:				PIN MATERIAL:		UL REC. UL 94V-0	
DATE: 2018.12.08				DRAWING NO. ZX-C073		PIN TENSION LOAD:	
 <b>智信电子塑胶有限公司</b> ZHI XIN ELECTRONICS PLASTIC CO., LTD. TEL:0769-86389901-2 FAX:0769-86389903						REV. A01	