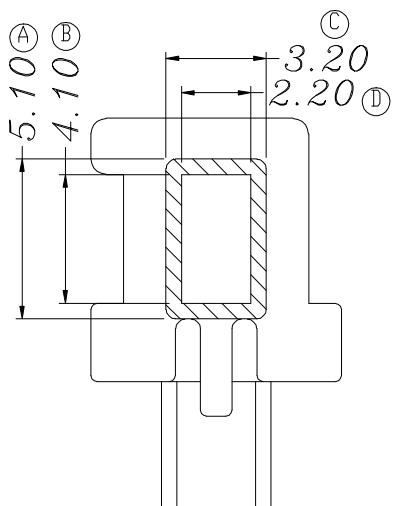
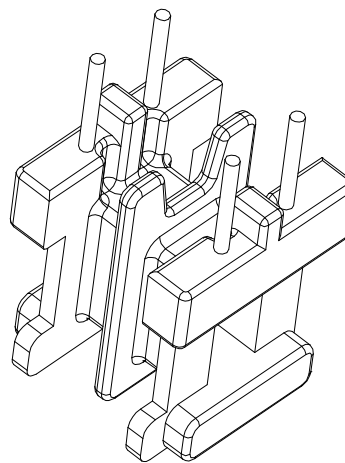
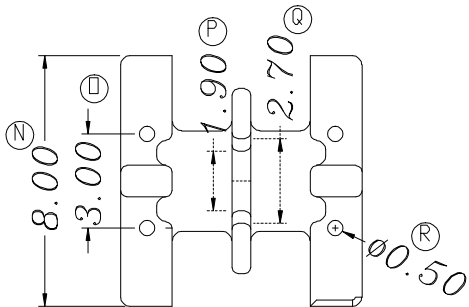
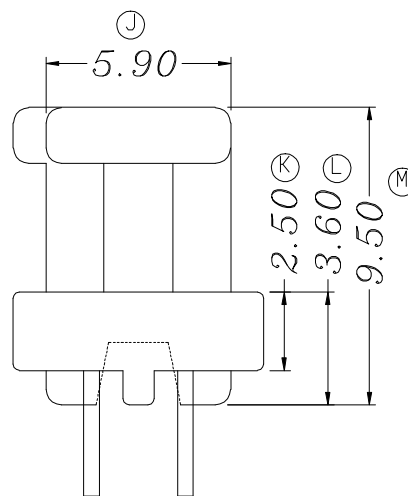
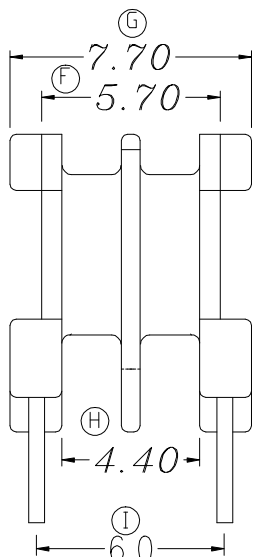
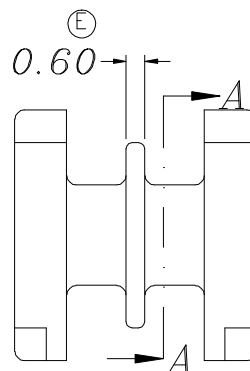


ZX-8.3E



SECTION A-A



REV.	REVISIONS REC.		DATE	REV.	REVISIONS REC.		DATE
1				4			
2				5			
3				6			
DRAWN & DRAFTED BY		LIU WEI QIANG		TOLERANCES		ANGLE: $\pm 1^\circ$	
CHECKED & APPROVED BY		MA BU JIAN		pin pitch $\pm 0.2$		TITLE: EE-8.3(2+2P)2S	
		0 < L ≤ 4 ± 0.1		UNIT: MM		BOBBIN MATERIAL: PHENOLIC	
		4 < L ≤ 16 ± 0.2		SCALE:		UL REC. UL 94V-0	
		16 < L ≤ 63 ± 0.3		DATE: 2007.05.15		PIN MATERIAL: CP WIRE	
<b>智信电子塑胶有限公司</b> ZHI XIN ELECTRONICS PLASTIC CO., LTD. TEL:0769-86389901-2 FAX:0769-86389903				DRAWING NO. ZX-8.3E		PIN TENSION LOAD: 0.8KG MIN	
				REV. A01			