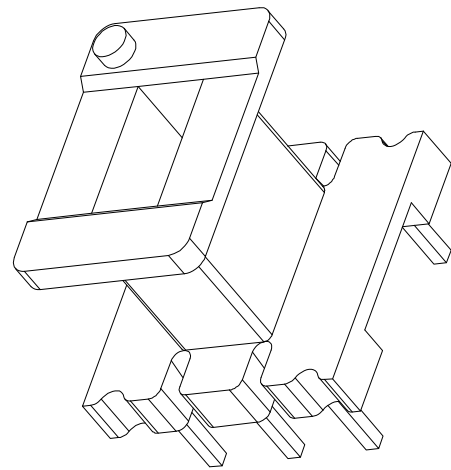
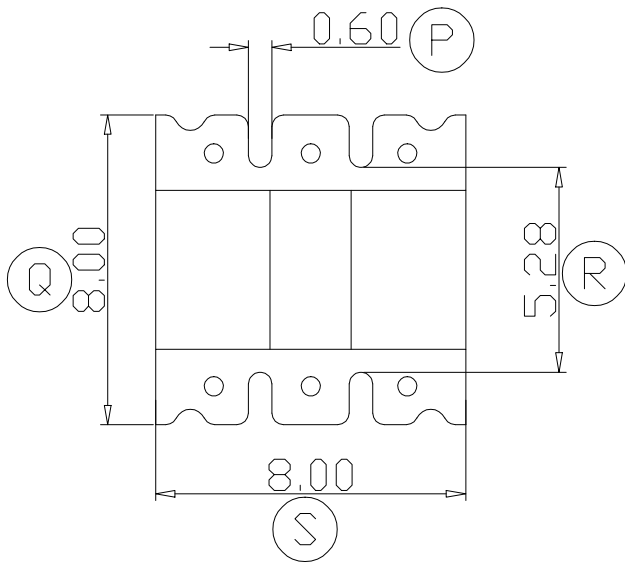
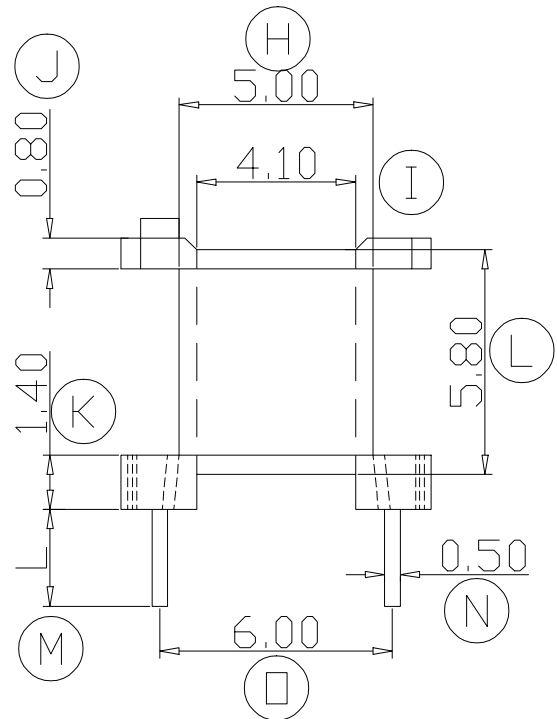
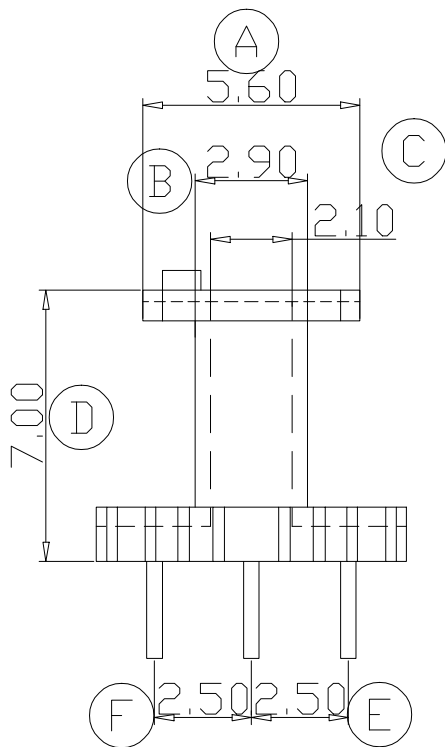


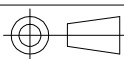
ZX-8.3F



REV.	REVISIONS REC.		DATE	REV.	REVISIONS REC.		DATE
1				4			
2				5			
3				6			
DRAWN & DRAFTED BY		LIU WEI QIANG	TOLERANCES		ANGLE:	TITLE:	
CHECKED & APPROVED BY		MA BU JIAN	0 < L ≤ 4	±0.1	±1°	EE-8.3(3+3P)	
			4 < L ≤ 16	±0.2	UNIT:	BOBBIN MATERIAL:	UL REC.
			16 < L ≤ 63	±0.3	MM	PHENOLIC	UL 94V-0
				pin pitch	SCALE:	PIN MATERIAL:	PIN TENSION LOAD:
				±0.2		CP WIRE	0.7kg MIN.
					DATE:	DRAWING NO.	REV.
					2004.09.14	ZX-8.3F	A01



智信电子塑胶有限公司
ZHI XIN ELECTRONICS PLASTIC CO., LTD.
 TEL:0769-86389901-2 FAX:0769-86389903



DATE: 2004.09.14

DRAWING NO. ZX-8.3F

REV. A01