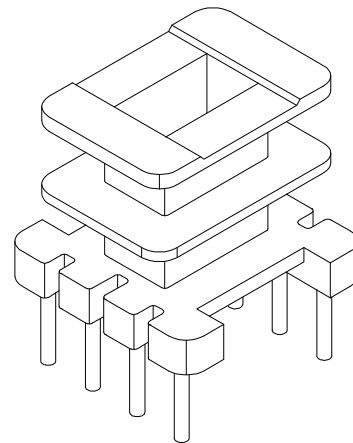
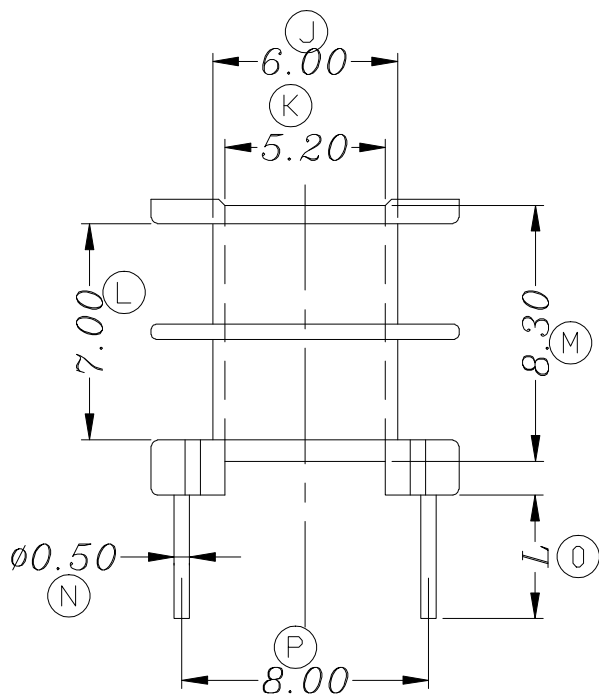
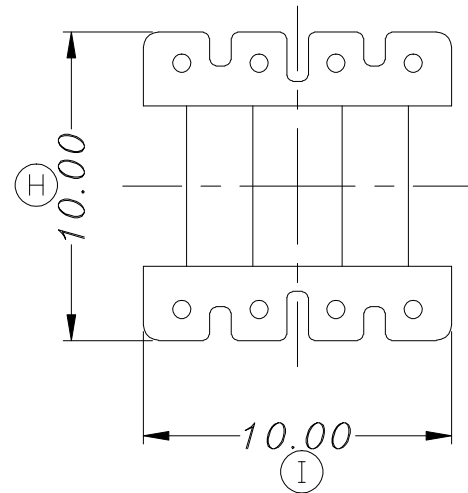
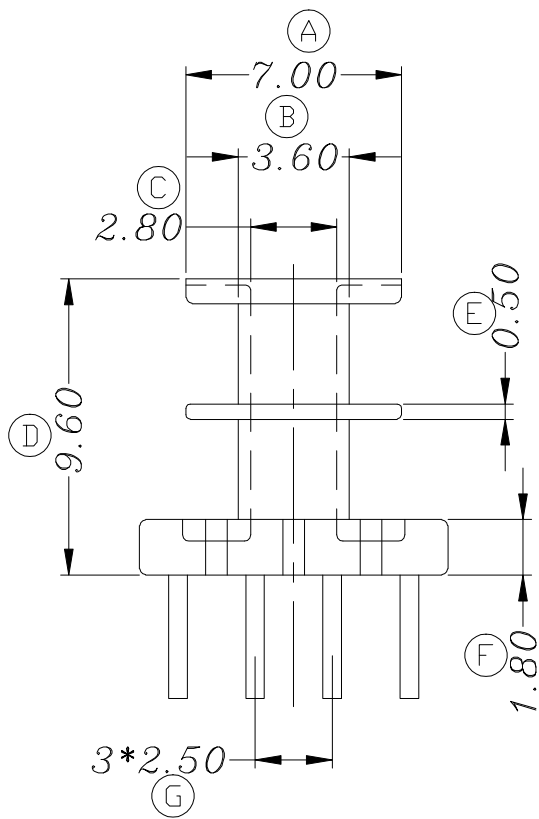


ZX-10F



REV.	REVISIONS REC.		DATE	REV.	REVISIONS REC.		DATE
1				4			
2				5			
3				6			
DRAWN & DRAFTED BY		LIU WEI QIANG	TOLERANCES		ANGLE:		TITLE:
CHECKED & APPROVED BY		MA BU JIAN	$0 < L \leq 4 \pm 0.1$ $4 < L \leq 16 \pm 0.2$ $16 < L \leq 63 \pm 0.3$		$\pm 1^\circ$ UNIT: MM		EE-10(4+4P)2S
			pin pitch ± 0.2		BOBBIN MATERIAL:		UL REC.
					PHENOLIC		UL 94V-0
					PIN MATERIAL:		PIN TENSION LOAD:
					CP WIRE		0.8KG MIN
ZXE 智信电子塑胶有限公司		ZHI XIN ELECTRONICS PLASTIC CO., LTD.		SCALE:		DATE:	DRAWING NO.
TEL:0769-86389901-2		FAX:0769-86389903				2011.11.15	ZX-10F
						REV.	A01