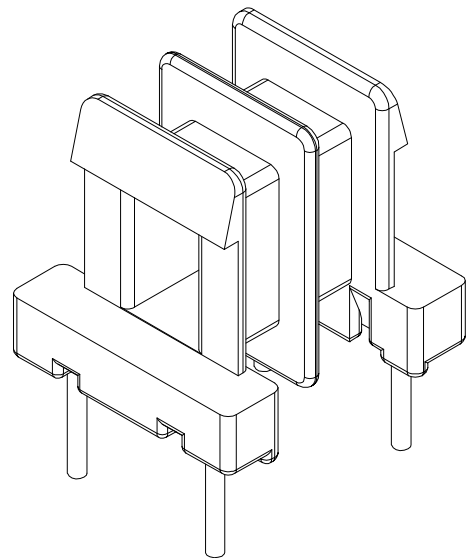
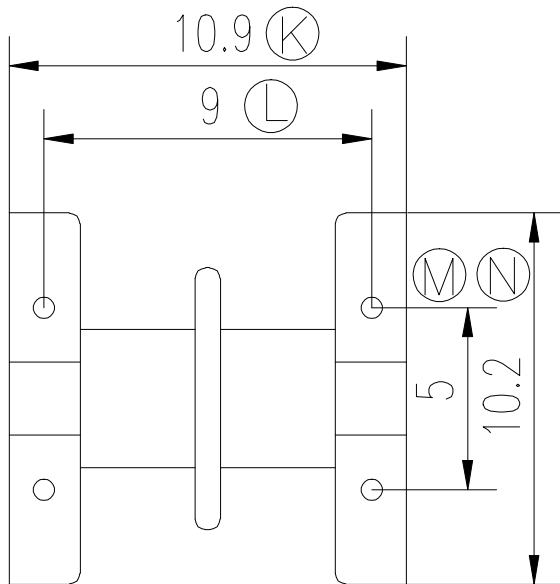
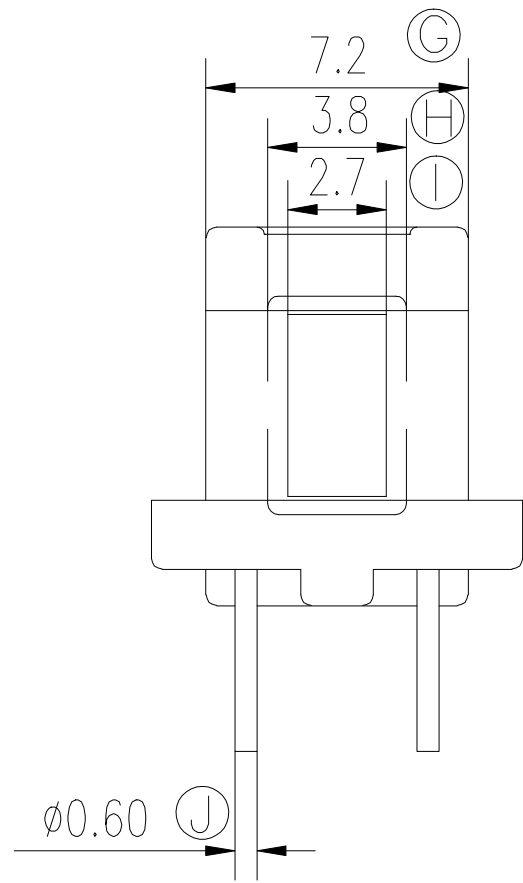
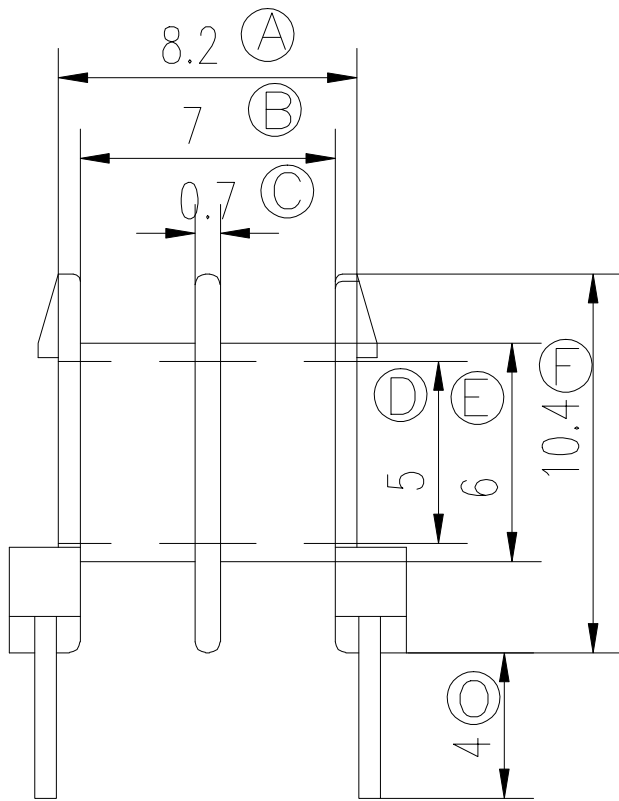


# ZX-10R



REV.	REVISIONS REC.		DATE	REV.	REVISIONS REC.		DATE
1				4			
2				5			
3				6			
DRAWN & DRAFTED BY		LIU WEI QIANG	TOLERANCES		ANGLE: $\pm 1^\circ$		TITLE: EE-10(2+2P)2S
CHECKED & APPROVED BY		MA BU JIAN	0 < L ≤ 4 ± 0.1	pin pitch ± 0.2	UNIT: MM	BOBBIN MATERIAL: PHENOLIC	UL REC. UL 94V-0
			4 < L ≤ 16 ± 0.2		SCALE:	PIN MATERIAL: CP WIRE	PIN TENSION LOAD: 0.8KG MIN
			16 < L ≤ 63 ± 0.3		DATE: 2007.06.03	DRAWING NO. ZX-10R	REV. A01



**智信电子塑胶有限公司**

ZHI XIN ELECTRONICS PLASTIC CO., LTD.  
TEL: 0769-86389901-2 FAX: 0769-86389903

