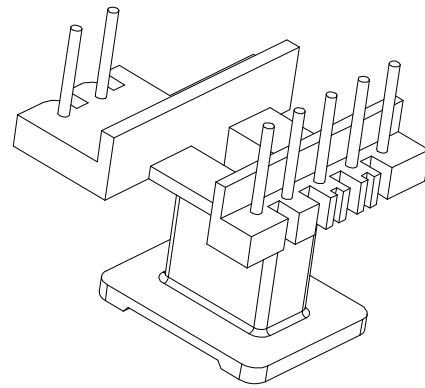
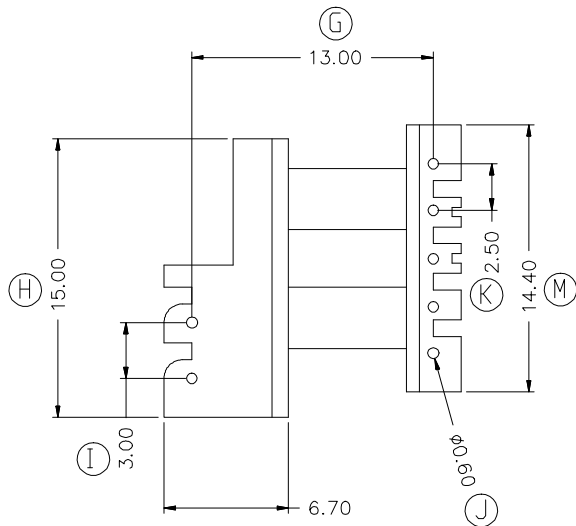
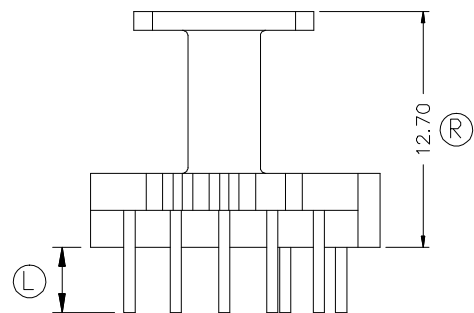
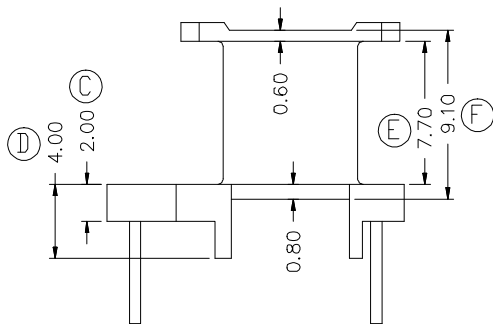
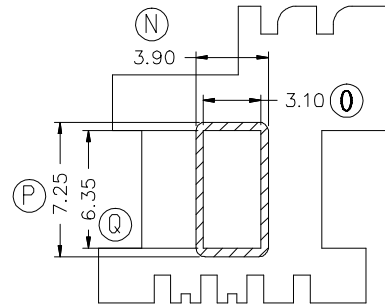
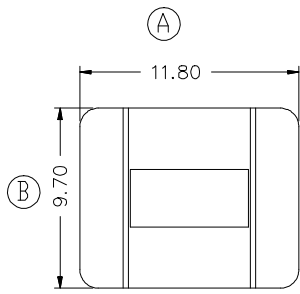


# ZX-13AH



REV.	REVISIONS	REC.	DATE	REV.	REVISIONS	REC.	DATE
1				4			
2				5			
3				6			
DRAWN & DRAFTED BY		LIU WEI QIANG		TOLERANCES		ANGLE: $\pm 1^\circ$	
CHECKED & APPROVED BY		ZHANG YONG		$0 < L \leq 4 \pm 0.1$ $4 < L \leq 16 \pm 0.2$ $16 < L \leq 63 \pm 0.3$		pin pitch $\pm 0.2$ UNIT: MM SCALE:	
ZXE 智信电子塑胶有限公司 ZHI XIN ELECTRONICS PLASTIC CO., LTD. TEL: 0769-86389901-2 FAX: 0769-86389903				TITLE: EE-13(5+2P) BOBBIN MATERIAL: PHENOLIC PIN MATERIAL: CP WIRE DATE: 2018.12.08			
				UL REC. UL 94V-0 PIN TENSION LOAD: 1.0KG MIN		DRAWING NO. ZX-13AH REV. A01	