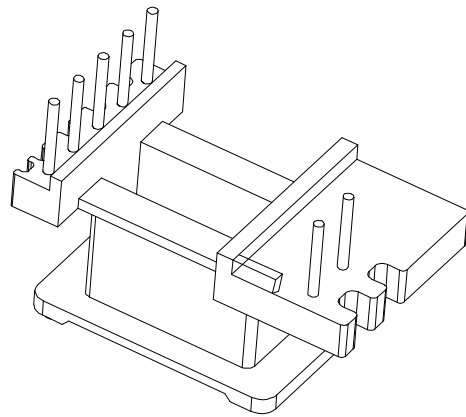
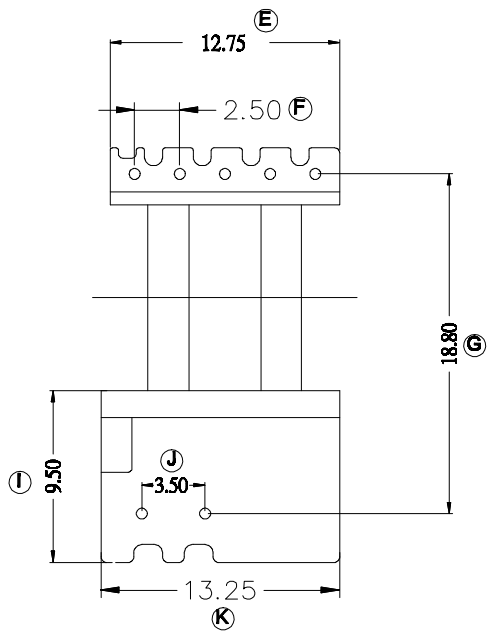
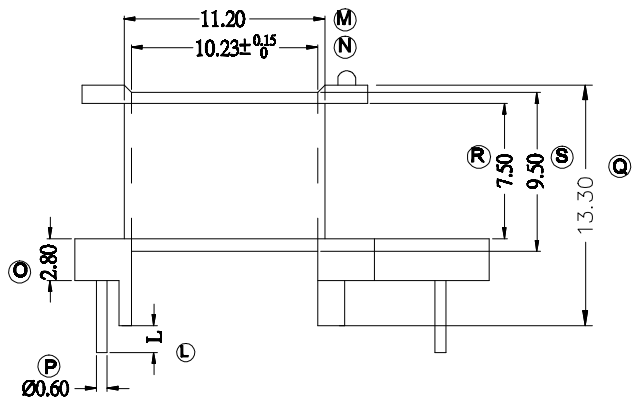
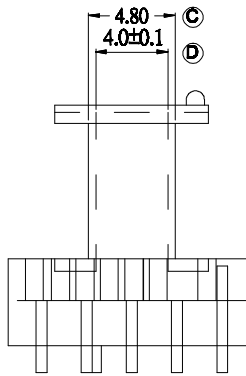
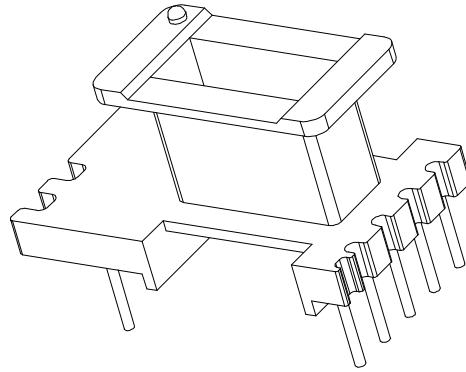
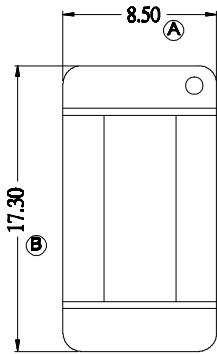


# ZX-13AK



| REV.                  | REVISIONS | REC.          | DATE | REV.  | REVISIONS | REC.                  | DATE |                             |  |
|-----------------------|-----------|---------------|------|---|-----------|-----------------------|------|-----------------------------|--|
| 1                     |           |               |      | 4   |           |                       |      |                             |  |
| 2                     |           |               |      | 5   |           |                       |      |                             |  |
| 3                     |           |               |      | 6   |           |                       |      |                             |  |
| DRAWN & DRAFTED BY    |           | LIU WEI QIANG |      | TOLERANCES  |           | ANGLE: $\pm 1^\circ$  |      | TITLE: EE-13(5+2P)          |  |
| CHECKED & APPROVED BY |           | ZHANG YONG    |      | $0 < L \leq 4 \pm 0.1$<br>$4 < L \leq 16 \pm 0.2$<br>$16 < L \leq 63 \pm 0.3$ |           | pin pitch $\pm 0.2$   |      | UNIT: MM                    |  |
|                       |           |               |      | SCALE:  |           | PIN MATERIAL: CP WIRE |      | BOBBIN MATERIAL: PHENOLIC   |  |
|                       |           |               |      |   |           | DATE: 2018.12.08      |      | UL REC. UL 94V-0            |  |
|                       |           |               |      |   |           | DRAWING NO. ZX-13AK   |      | PIN TENSION LOAD: 1.0KG MIN |  |
|                       |           |               |      |   |           |                       |      | REV. A01                    |  |



**智信电子塑胶有限公司**  
**ZHI XIN ELECTRONICS PLASTIC CO., LTD.**  
 TEL: 0769-86389901-2 FAX: 0769-86389903

