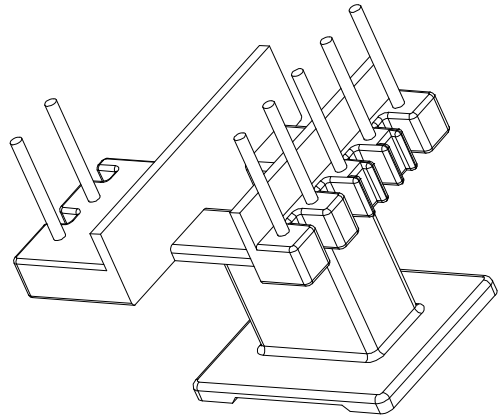
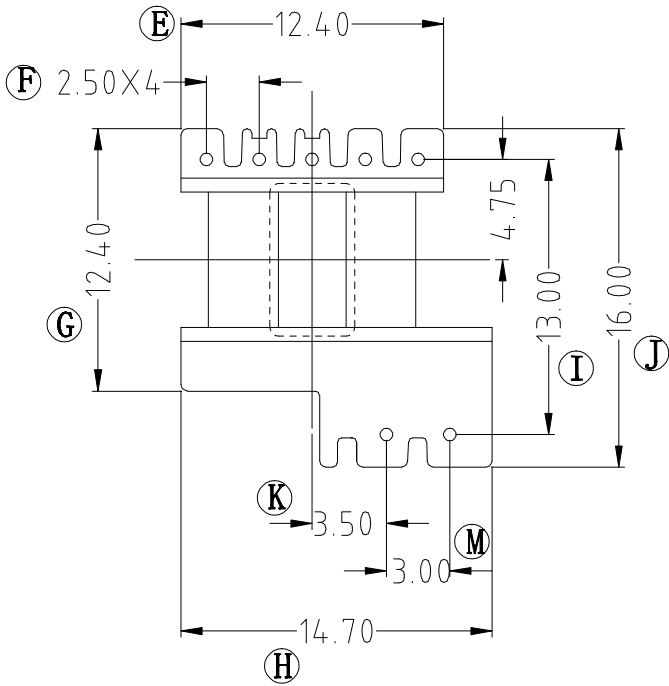
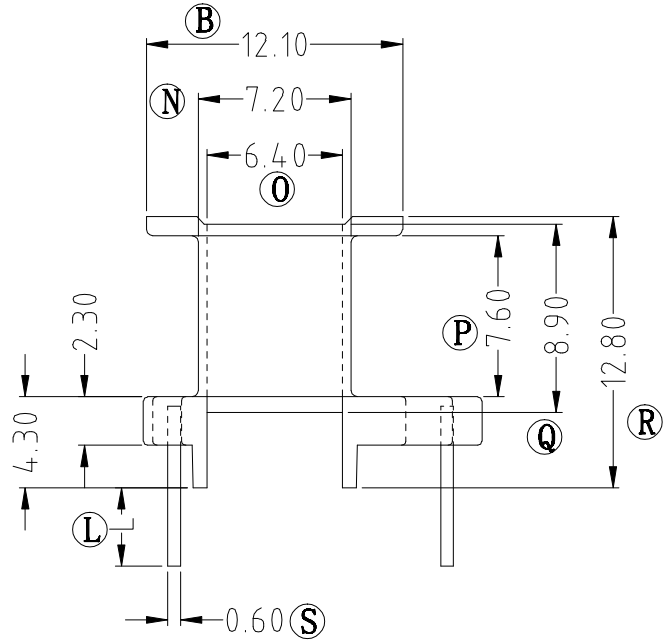
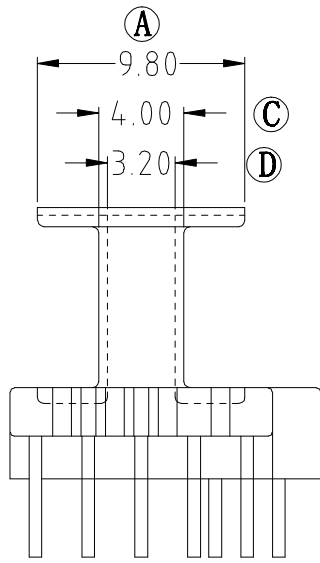


ZX-13AQ



REV.	REVISIONS REC.		DATE	REV.	REVISIONS REC.		DATE
1				4			
2				5			
3				6			
DRAWN & DRAFTED BY		LIU WEI QIANG		TOLERANCES		ANGLE: $\pm 1^\circ$	
CHECKED & APPROVED BY		ZHANG YONG		pin pitch		TITLE: EE-13(2+5P)	
		0 < L ≤ 4 ±0.1		UNIT: MM		BOBBIN MATERIAL: PHENOLIC	
		4 < L ≤ 16 ±0.2		SCALE:		UL REC. UL 94V-0	
		16 < L ≤ 63 ±0.3		PIN MATERIAL: CP WIRE		PIN TENSION LOAD: 1.0KG MIN	
智信电子塑胶有限公司 ZHI XIN ELECTRONICS PLASTIC CO., LTD. TEL:0769-86389901-2 FAX:0769-86389903		DATE: 2018.12.08		DRAWING NO. ZX-13AQ		REV. A01	