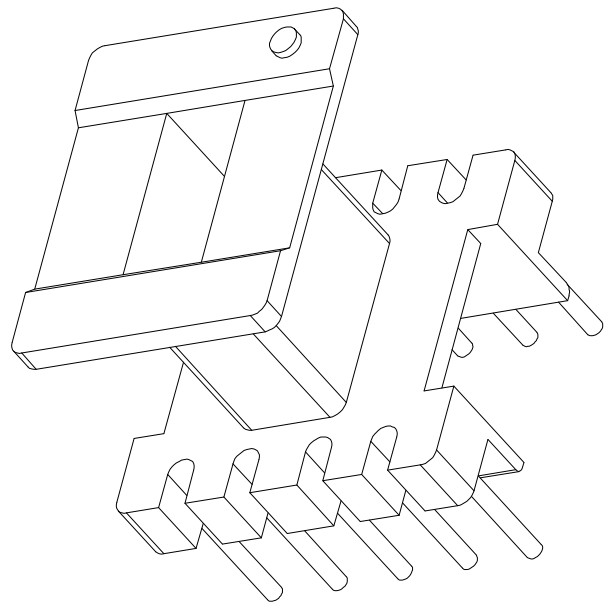
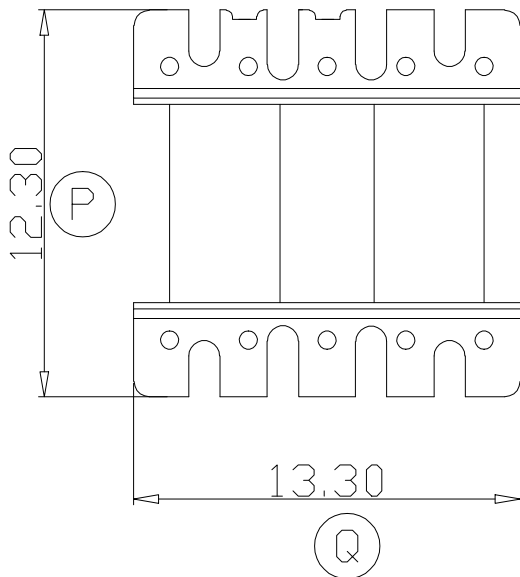
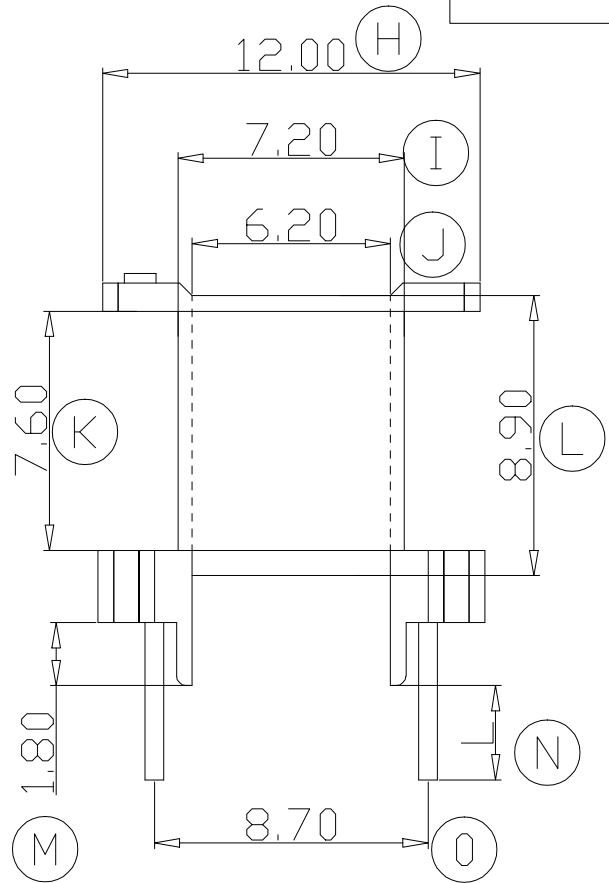
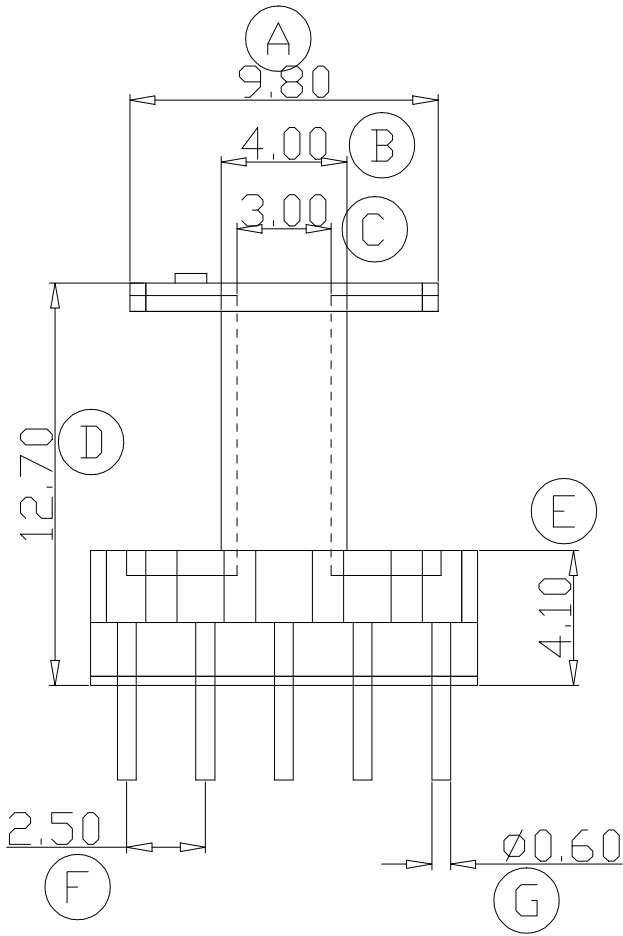


# ZX-13K1

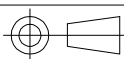


REV.	REVISIONS REC.		DATE	REV.	REVISIONS REC.		DATE
1				4			
2				5			
3				6			
DRAWN & DRAFTED BY		LIU WEI QIANG		TOLERANCES		ANGLE: $\pm 1^\circ$	
CHECKED & APPROVED BY		MA BU JIAN		pin pitch		TITLE: <b>EE-13(5+5P)</b>	
		0<L≤4 ±0.1		UNIT: MM		BOBBIN MATERIAL: PHENOLIC	
		4<L≤16 ±0.2		SCALE:		UL REC. UL 94V-0	
		16<L≤63 ±0.3		DATE: 2011.11.16		PIN MATERIAL: CP WIRE	
				DRAWING NO. ZX-13K1		PIN TENSION LOAD: 1.0KG MIN	
				REV. A01			



**智信电子塑胶有限公司**

ZHI XIN ELECTRONICS PLASTIC CO., LTD.  
TEL:0769-86389901-2 FAX:0769-86389903



DATE: 2011.11.16

DRAWING NO. ZX-13K1

REV. A01