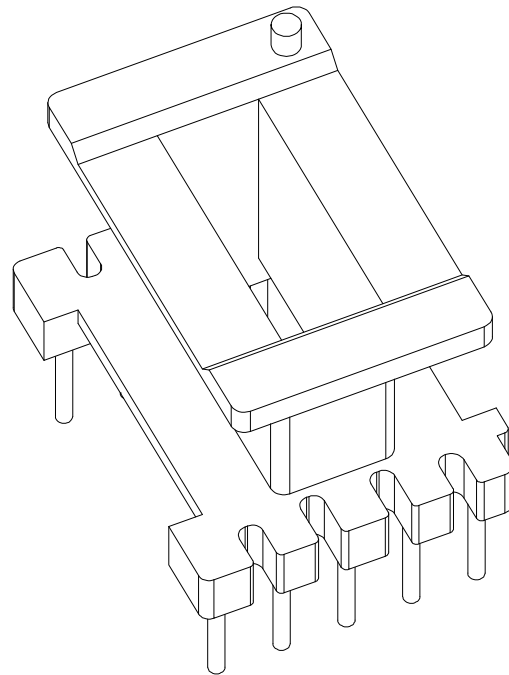
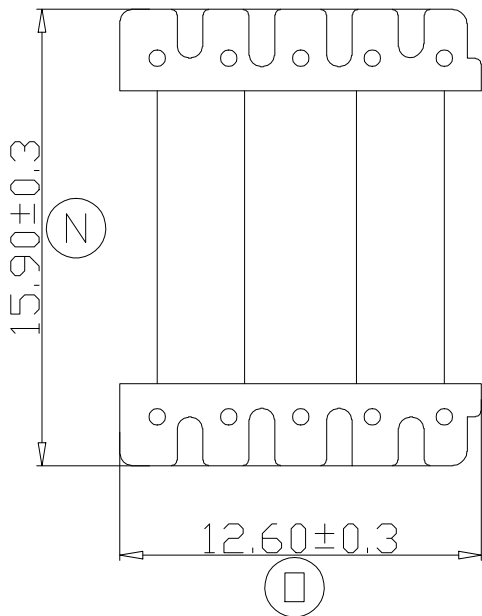
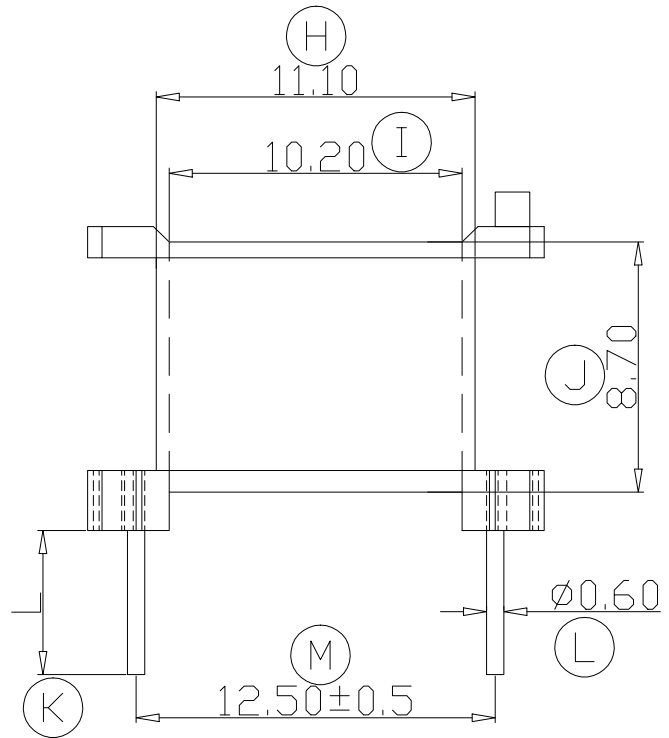
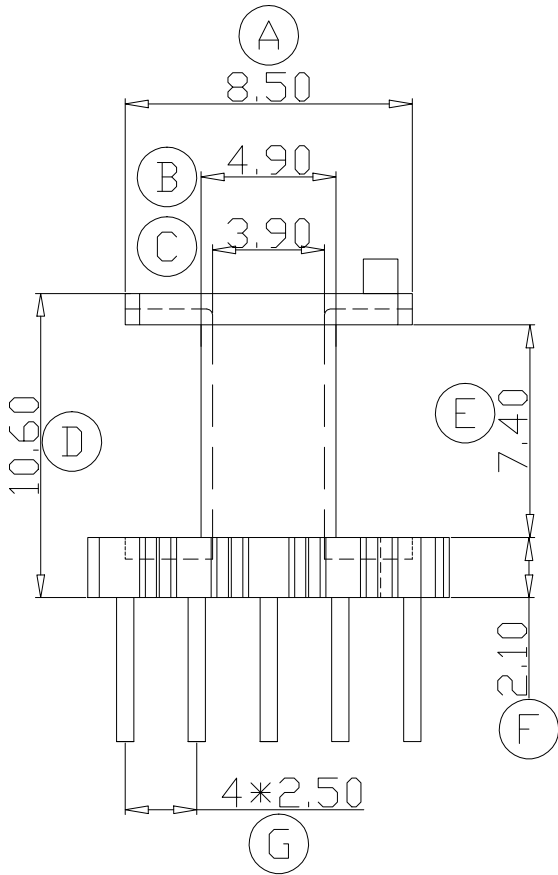


# ZX-13M

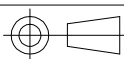


REV.	REVISIONS	REC.	DATE	REV.	REVISIONS	REC.	DATE
1	A- 10.0更新为8.50		2014.01.20	4			
2	B- 4.70更新为4.90		2014.01.20	5			
3				6			
DRAWN & DRAFTED BY		LIU WEI QIANG		TOLERANCES		ANGLE: ±1°	
CHECKED & APPROVED BY		MA BU JIAN		0<L≤4 ±0.1 4<L≤16 ±0.2 16<L≤63 ±0.3		pin pitch ±0.2	
				UNIT: MM		TITLE: EE-13(5+5P)	
				SCALE:		BOBBIN MATERIAL: T375HF	
				DATE: 2014.01.20		UL REC. UL 94V-0	
				DRAWING NO. ZX-13M		PIN MATERIAL: CP WIRE	
				REV. A02		PIN TENSION LOAD: 1.0kg MIN.	



智信电子塑胶有限公司

ZHI XIN ELECTRONICS PLASTIC CO., LTD.  
TEL:0769-86389901-2 FAX:0769-86389903



DATE: 2014.01.20

DRAWING NO.

ZX-13M

REV. A02