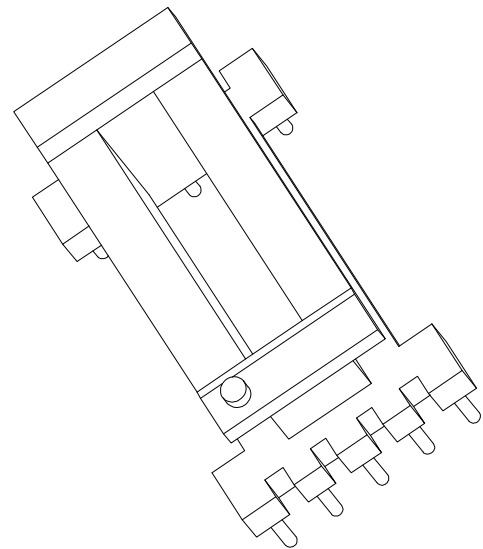
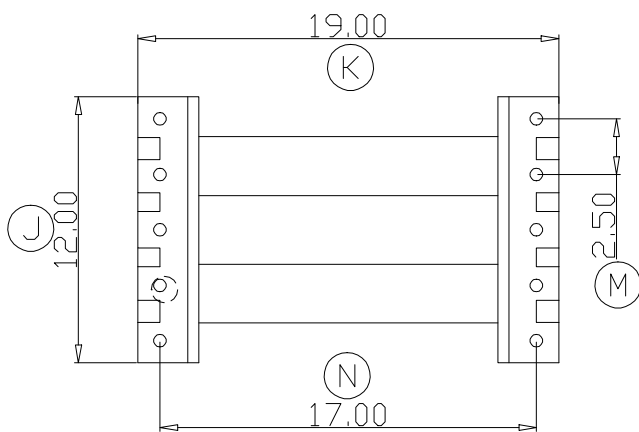
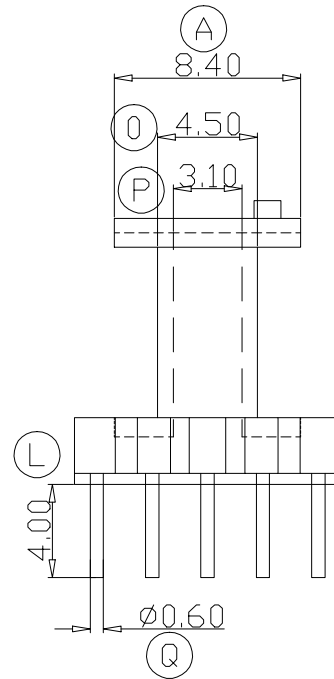
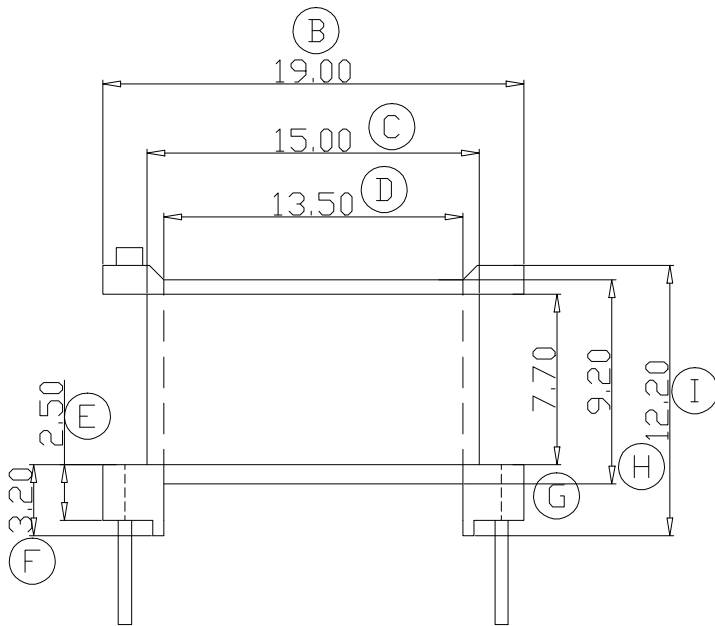


ZX-130



REV.	REVISIONS REC.		DATE	REV.	REVISIONS REC.		DATE
1				4			
2				5			
3				6			
DRAWN & DRAFTED BY	LIU WEI QIANG	TOLERANCES		ANGLE:	TITLE: EE-13(5+5P)		
CHECKED & APPROVED BY	MA BU JIAN	0<L≤4 ±0.1	pin pitch	±1°	BOBBIN MATERIAL:	PHENOLIC	UL REC. UL 94V-0
		4<L≤16 ±0.2	±0.2	UNIT:	CP WIRE	PIN TENSION LOAD:	1.0kg MIN.
		16<L≤63 ±0.3		MM			
SCALE:				DATE:	DRAWING NO.	REV.	
				2008.09.14	ZX-130	A01	



智信电子塑胶有限公司
ZHI XIN ELECTRONICS PLASTIC CO., LTD.
 TEL:0769-86389901-2 FAX:0769-86389903