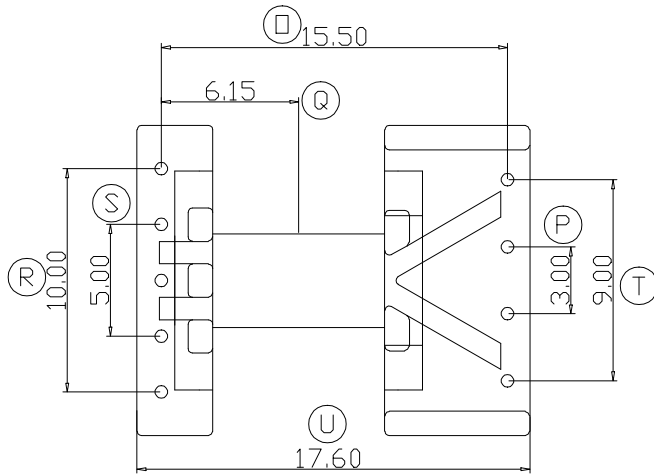
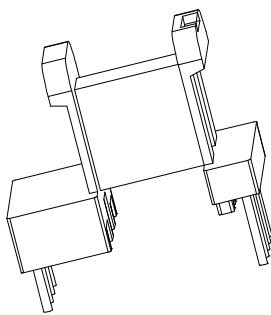
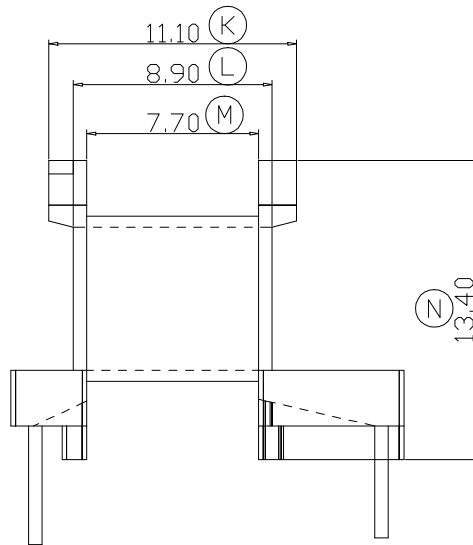
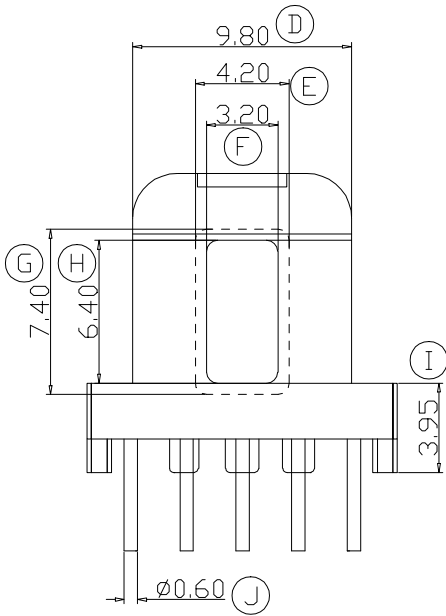
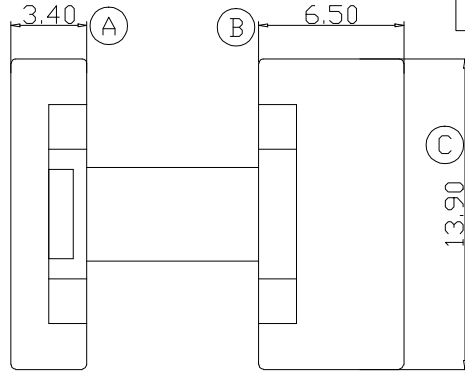
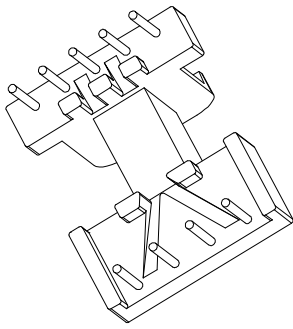


# ZX-13P

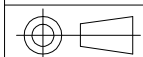


REV.	REVISIONS	REC.	DATE	REV.	REVISIONS	REC.	DATE
1				4			
2				5			
3				6			

DRAWN & DRAFTED BY	LIU WEI QIANG	TOLERANCES		ANGLE:	TITLE: EE-13(4+5P)		
	CHECKED & APPROVED BY	MA BU JIAN	0<L≤4 ±0.1	pin pitch ±0.2	UNIT:	BOBBIN MATERIAL:	UL REC.
		4<L≤16 ±0.2	MM		PHENOLIC	UL 94V-0	
		16<L≤63 ±0.3		SCALE:	PIN MATERIAL:	PIN TENSION LOAD:	
					CP WIRE	1.0kg MIN.	
					DATE:	DRAWING NO.	REV.
					2004.09.14	ZX-13P	A01



**智信电子塑胶有限公司**  
**ZHI XIN ELECTRONICS PLASTIC CO., LTD.**  
 TEL:0769-86389901-2 FAX:0769-86389903



DATE: 2004.09.14

DRAWING NO. ZX-13P

REV. A01