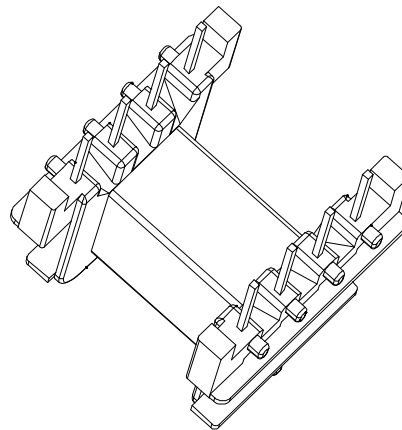
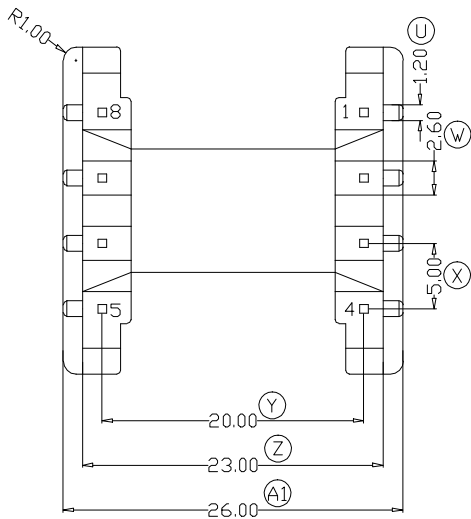
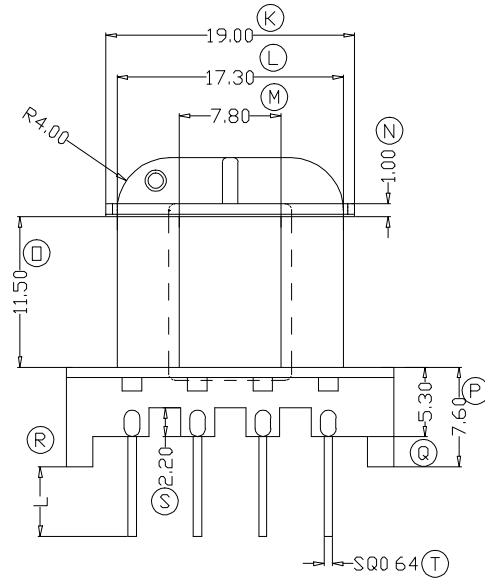
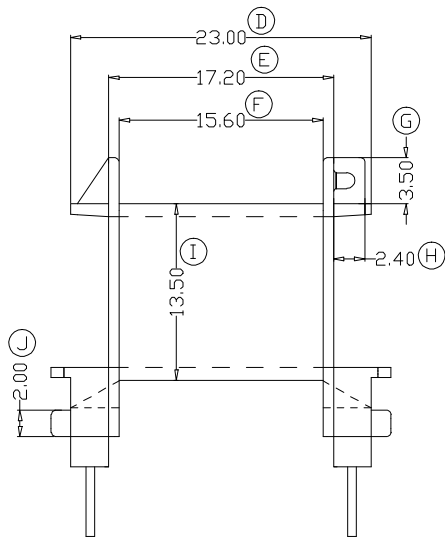
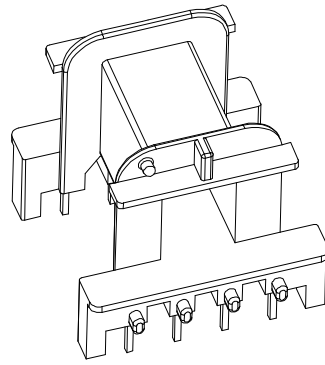
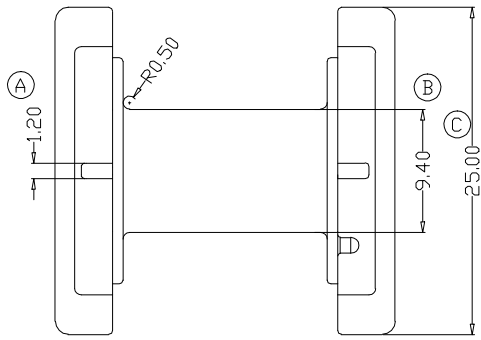


ZX-25AU1



REV.	REVISIONS	REC.	DATE	REV.	REVISIONS	REC.	DATE		
1				4					
2				5					
3				6					
DRAWN & DRAFTED BY		LIU WEI QIANG		TOLERANCES		ANGLE: $\pm 1^\circ$		TITLE: EE-25 (4+4P)	
CHECKED & APPROVED BY		MA BU JIAN		$0 < L \leq 4 \quad \pm 0.1$ $L4 < \leq 16 \quad \pm 0.2$ $L16 < \leq 63 \quad \pm 0.3$		pin pitch ± 0.2		UNIT: MM	
				SCALE:		BOBBIN MATERIAL: FR530		UL REC. UL 94V-0	
						PIN MATERIAL: CP WIRE		PIN TENSION LOAD: 1.5KG MIN	
				DATE: 2018.04.11		DRAWING NO. ZX-25AU1		REV. A01	



智信电子塑胶有限公司
ZHI XIN ELECTRONICS PLASTIC CO., LTD.
 TEL: 0769-86389901-2 FAX: 0769-86389903