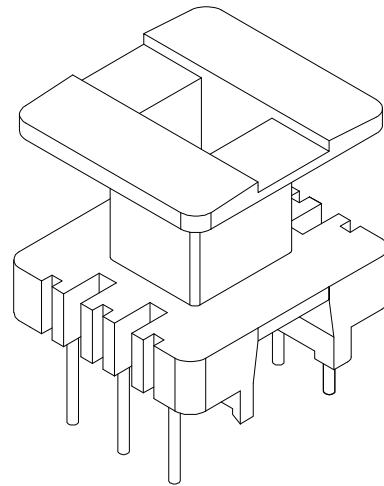
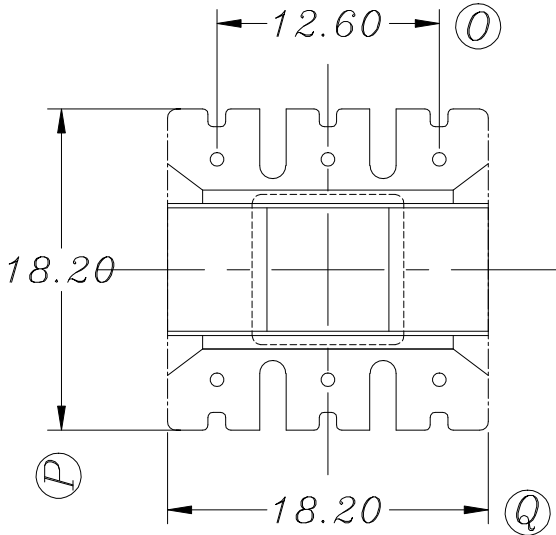
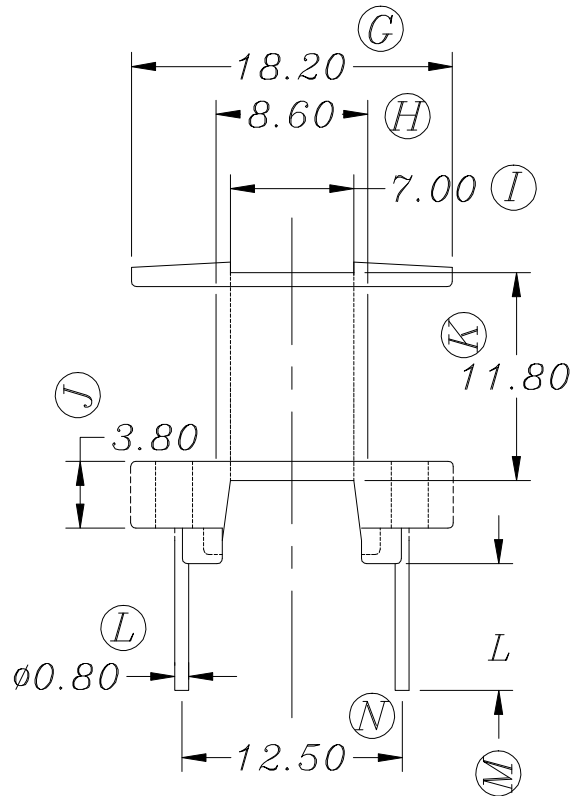
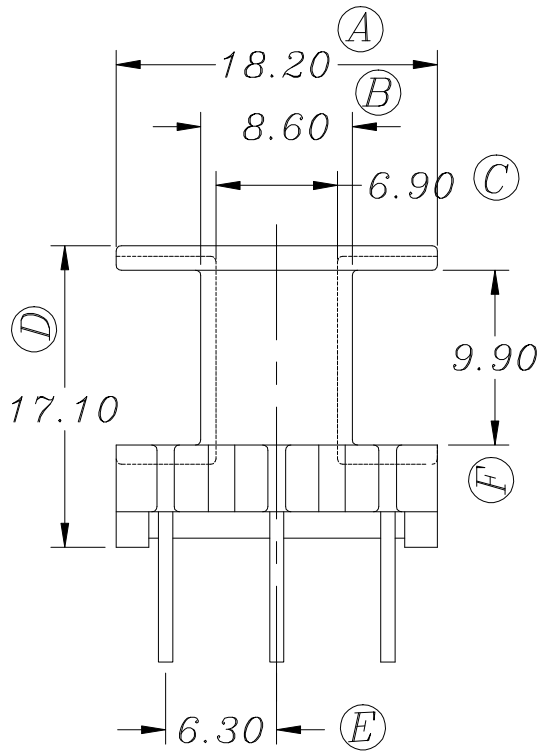


ZX-25BN



| REV.                  | REVISIONS REC. |   | DATE | REV.   | REVISIONS REC. |  | DATE |
|-----------------------|----------------|---|------|--|----------------|--|------|
| 1                     |                |   |      | 4  |                |  |      |
| 2                     |                |   |      | 5  |                |  |      |
| 3                     |                |   |      | 6  |                |  |      |
| DRAWN & DRAFTED BY    |                | LIU WEI QIANG   |      | TOLERANCES   |                | ANGLE: $\pm 1^\circ$   |      |
| CHECKED & APPROVED BY |                | ZHANG YONG  |      | $0 < L \leq 4 \pm 0.1$<br>$4 < L \leq 16 \pm 0.2$<br>$16 < L \leq 63 \pm 0.3$                |                | UNIT: MM<br>SCALE:   |      |
|                       |                | <b>智信电子塑胶有限公司</b><br>ZHI XIN ELECTRONICS PLASTIC CO., LTD.<br>TEL:0769-86389901-2 FAX:0769-86389903 |      | TITLE: EE-25(3+3P)<br>BOBBIN MATERIAL: PHENOLIC<br>PIN MATERIAL: CP WIRE<br>DATE: 2018.12.08 |                | UL REC. UL 94V-0<br>PIN TENSION LOAD: 1.2KG MIN<br>DRAWING NO. ZX-25BN<br>REV. A01 |      |