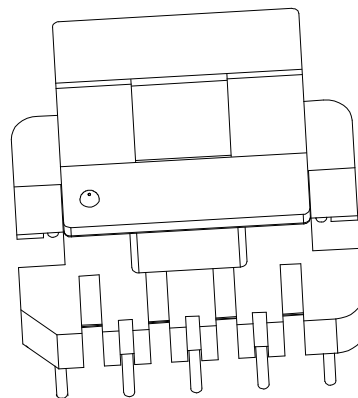
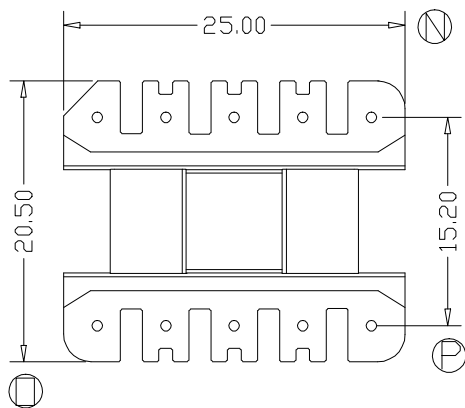
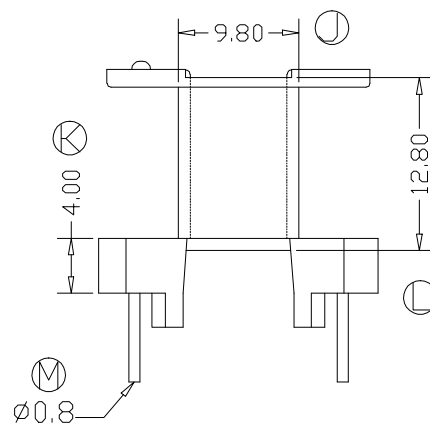
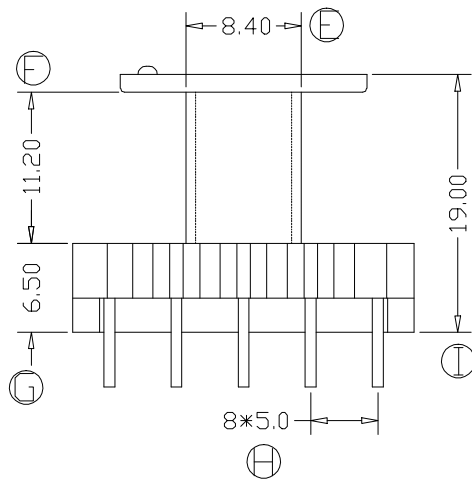
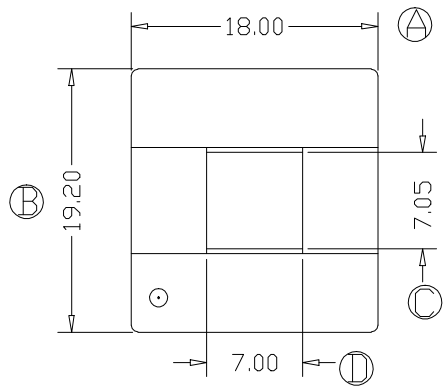


# ZX-25G1



REV.	REVISIONS REC.		DATE	REV.	REVISIONS REC.		DATE	
1				4				
2				5				
3				6				
DRAWN & DRAFTED BY		LIU WEI QIANG	TOLERANCES		ANGLE: $\pm 1^\circ$			TITLE: <b>EE-25(5+5P)</b>
CHECKED & APPROVED BY		MA BU JIAN	$0 < L \leq 4 \pm 0.1$ $4 < L \leq 16 \pm 0.2$ $16 < L \leq 63 \pm 0.3$	pin pitch $\pm 0.2$	UNIT: MM	BOBBIN MATERIAL: PHENOLIC	UL REC. UL 94V-0	
SCALE:		智信电子塑胶有限公司		PIN MATERIAL: CP WIRE		PIN TENSION LOAD: 1.2KG MIN		
ZXE		ZHI XIN ELECTRONICS PLASTIC CO., LTD.		DATE: 2012.06.09	DRAWING NO. ZX-25G1	REV. A01		
TEL:0769-86389901-2		FAX:0769-86389903						