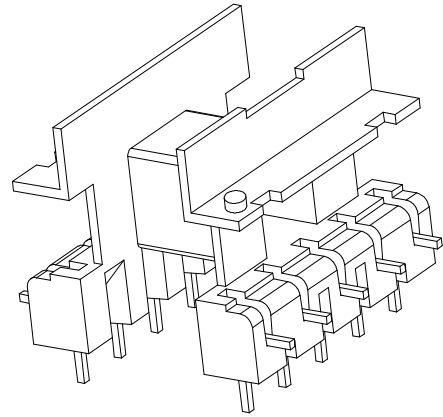
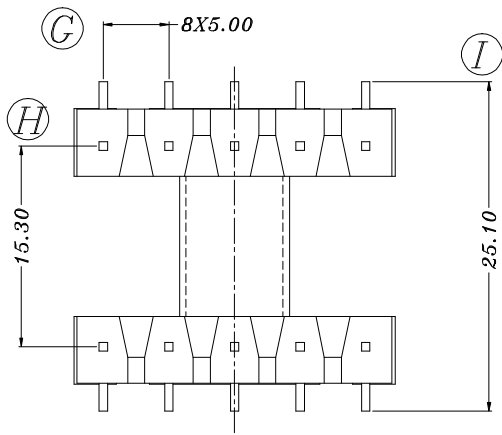
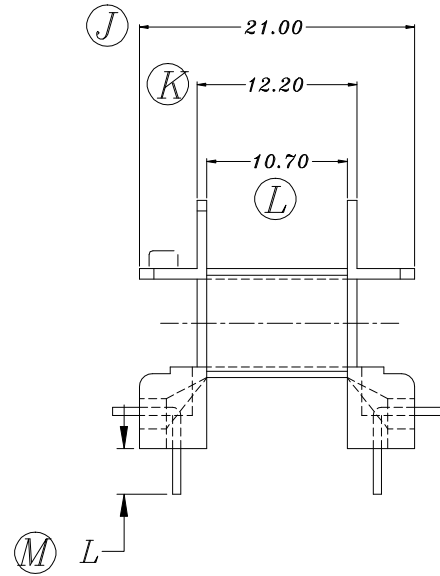
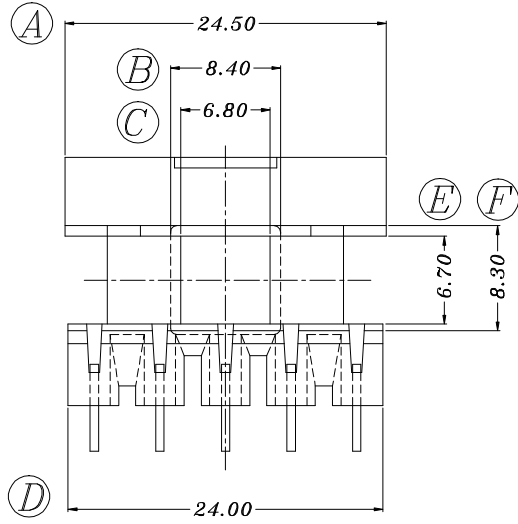

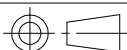


ZX-25J



| REV. | REVISIONS REC. | | DATE | REV. | REVISIONS REC. | | DATE |
|--|----------------|---|------|--------------------|----------------|-----------------------------|------|
| 1 | | | | 4 | | | |
| 2 | | | | 5 | | | |
| 3 | | | | 6 | | | |
| DRAWN & DRAFTED BY | | LIU WEI QIANG | | TOLERANCES | | ANGLE: $\pm 1^\circ$ | |
| CHECKED & APPROVED BY | | ZHANG YONG | | pin pitch | | TITLE: EE-25(5+5P) | |
| | | 0 < L ≤ 4 ±0.1 | | UNIT: MM | | BOBBIN MATERIAL: PBT | |
| | | 4 < L ≤ 16 ±0.2 | | SCALE: | | UL REC. UL 94V-0 | |
| | | 16 < L ≤ 63 ±0.3 | | DATE: 2008.06.15 | | PIN MATERIAL: CP WIRE | |
| | | ±0.2 | | DRAWING NO. ZX-25J | | PIN TENSION LOAD: 1.5KG MIN | |
|  智信电子塑胶有限公司 ZHI XIN ELECTRONICS PLASTIC CO., LTD. TEL:0769-86389901-2 FAX:0769-86389903 | |  | | REV. A01 | | | |