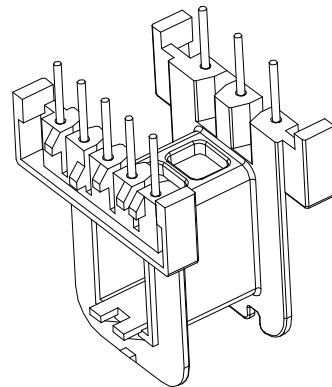
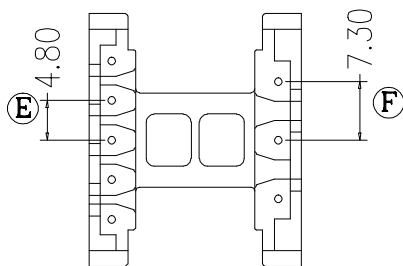
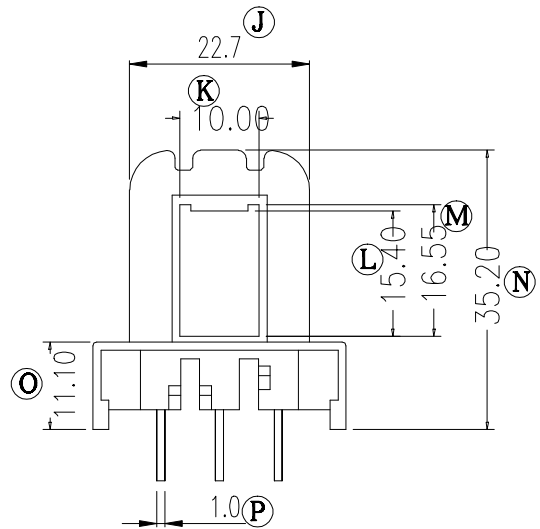
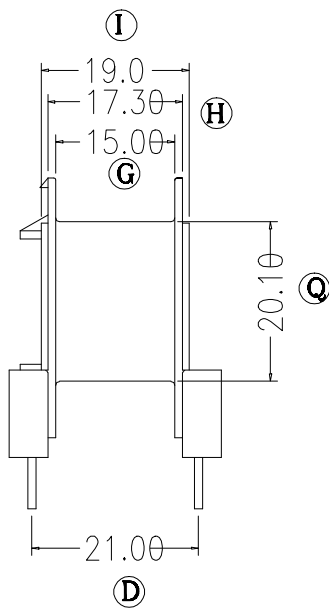
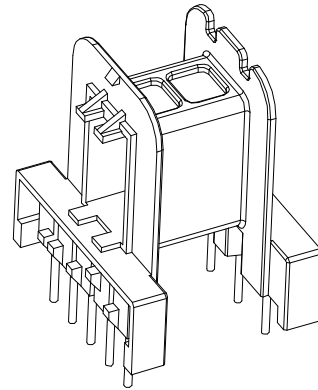
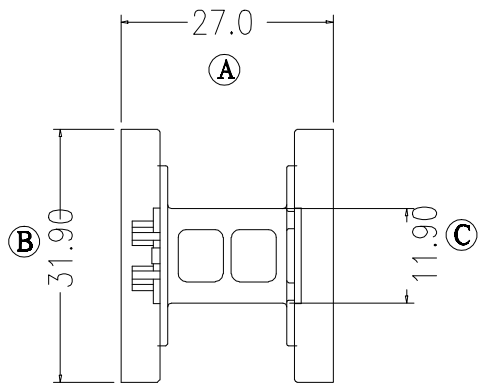


# ZX-35M



| REV.  | REVISIONS REC. |                  | DATE | REV.                  | REVISIONS REC. |                             | DATE |
|---|----------------|------------------|------|-----------------------|----------------|-----------------------------|------|
| 1   |                |                  |      | 4                     |                |                             |      |
| 2   |                |                  |      | 5                     |                |                             |      |
| 3   |                |                  |      | 6                     |                |                             |      |
| DRAWN & DRAFTED BY  |                | LIU WEI QIANG    |      | TOLERANCES            |                | ANGLE: $\pm 1^\circ$        |      |
| CHECKED & APPROVED BY   |                | MA BU JIAN       |      | pin pitch             |                | TITLE: EE-35(5+3P)          |      |
|   |                | 0<L≤4 ±0.1       |      | UNIT: MM              |                | BOBBIN MATERIAL: PBT        |      |
|   |                | 4<L≤16 ±0.2      |      | SCALE:                |                | UL REC. UL 94V-0            |      |
|   |                | 16<L≤63 ±0.3     |      | PIN MATERIAL: CP WIRE |                | PIN TENSION LOAD: 1.5KG MIN |      |
| <b>智信电子塑胶有限公司</b><br>ZHI XIN ELECTRONICS PLASTIC CO., LTD.<br>TEL:0769-86389901-2 FAX:0769-86389903 |                | DATE: 2007.08.19 |      | DRAWING NO. ZX-35M    |                | REV. A01                    |      |