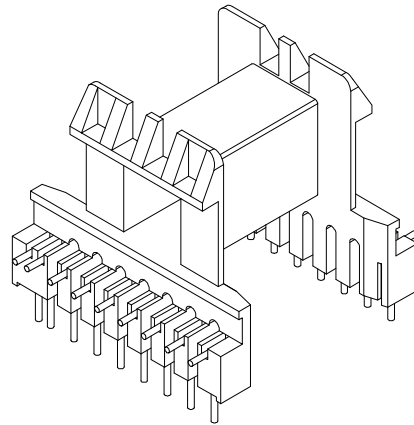
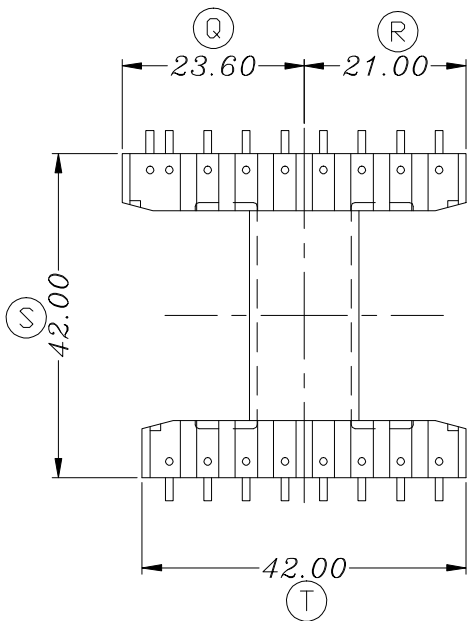
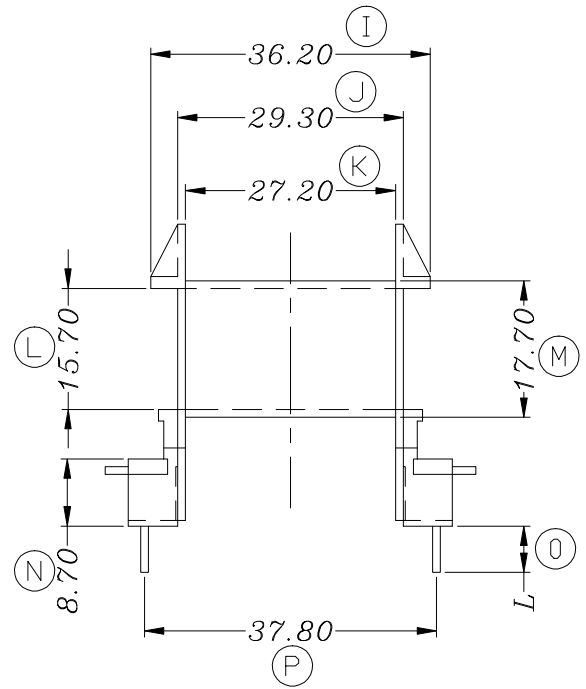
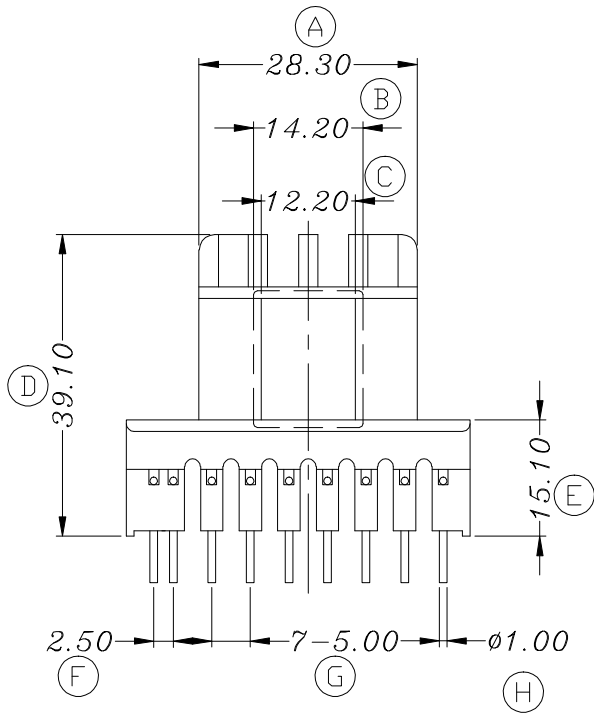


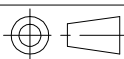
# ZX-42B



| REV.                  | REVISIONS REC. |                  | DATE           | REV.   | REVISIONS REC.            |                             | DATE     |
|-----------------------|----------------|------------------|----------------|--------|---------------------------|-----------------------------|----------|
| 1                     |                |                  |                | 4      |                           |                             |          |
| 2                     |                |                  |                | 5      |                           |                             |          |
| 3                     |                |                  |                | 6      |                           |                             |          |
| DRAWN & DRAFTED BY    | LIU WEI QIANG  | TOLERANCES       |                | ANGLE: | TITLE: EE-42(8+9P)        |                             |          |
| CHECKED & APPROVED BY | MA BU JIAN     | 0 < L ≤ 4 ±0.1   | pin pitch ±0.2 | UNIT:  | BOBBIN MATERIAL: PHENOLIC | UL REC. UL 94V-0            |          |
|                       |                | 4 < L ≤ 16 ±0.2  |                | SCALE: | PIN MATERIAL: CP WIRE     | PIN TENSION LOAD: 1.2KG MIN |          |
|                       |                | 16 < L ≤ 63 ±0.3 |                |        | DATE: 2009.09.12          | DRAWING NO. ZX-42B          | REV. A01 |



**智信电子塑胶有限公司**  
**ZHI XIN ELECTRONICS PLASTIC CO., LTD.**  
 TEL:0769-86389901-2 FAX:0769-86389903



DATE: 2009.09.12

DRAWING NO. ZX-42B

REV. A01