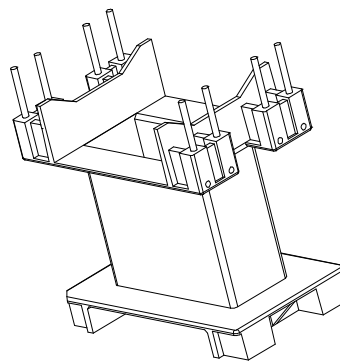
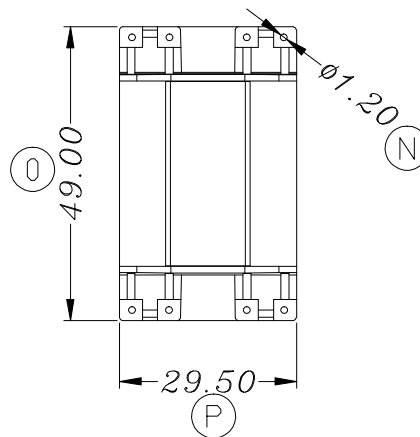
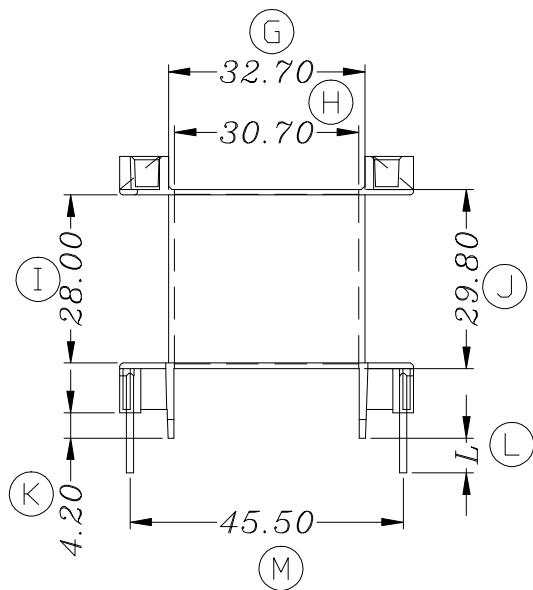
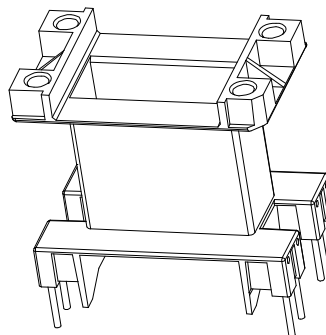
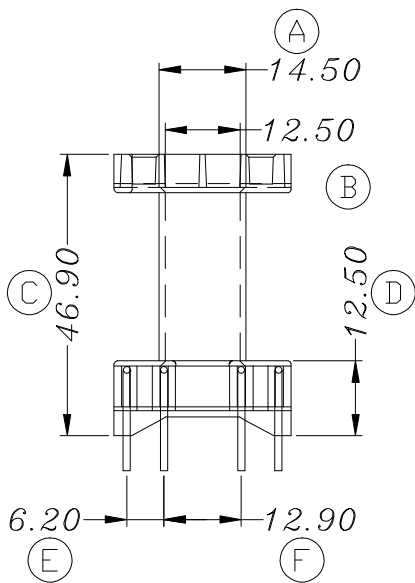


# ZX-42C



REV.	REVISIONS	REC.	DATE	REV.	REVISIONS	REC.	DATE
1				4			
2				5			
3				6			

DRAWN & DRAFTED BY LIU WEI QIANG	TOLERANCES		ANGLE: ±1°	TITLE: EE-42(4+4P)			
	0 < L ≤ 4 ±0.1	pin pitch ±0.2		UNIT: MM	BOBBIN MATERIAL: PHENOLIC	UL REC. UL 94V-0	
CHECKED & APPROVED BY MA BU JIAN	4 < L ≤ 16 ±0.2			PIN MATERIAL: CP WIRE	PIN TENSION LOAD: 1.8KG MIN		
	16 < L ≤ 63 ±0.3		SCALE:	DATE: 2008.04.26	DRAWING NO. ZX-42C	REV. A01	



**智信电子塑胶有限公司**  
**ZHI XIN ELECTRONICS PLASTIC CO., LTD.**  
 TEL:0769-86389901-2 FAX:0769-86389903

