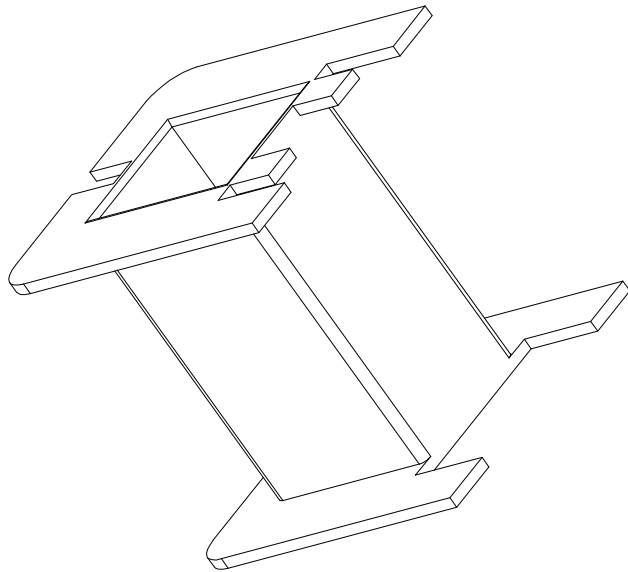
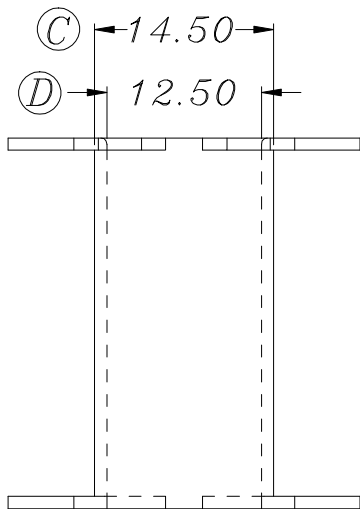
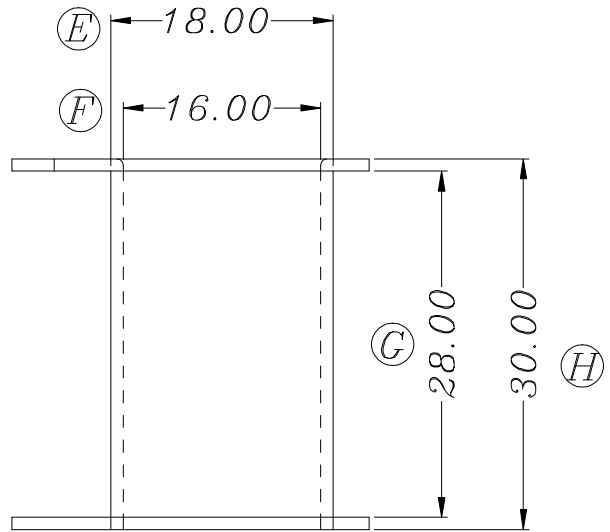
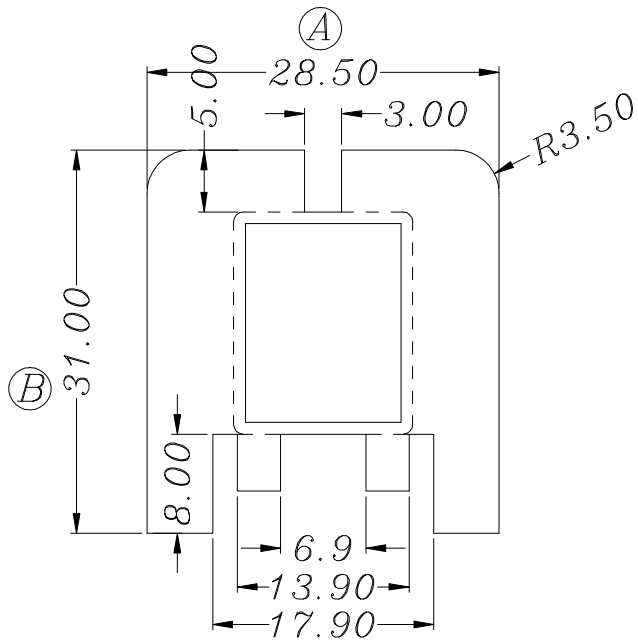


ZX-42K



REV.	REVISIONS REC.		DATE	REV.	REVISIONS REC.		DATE
1				4			
2				5			
3				6			
DRAWN & DRAFTED BY		LIU WEI QIANG	TOLERANCES		ANGLE:	TITLE: <b>EE-42 BOBBIN</b>	
CHECKED & APPROVED BY		MA BU JIAN	0<L≤4 ±0.1	pin pitch ±0.2	±1°	BOBBIN MATERIAL: <b>PHENOLIC</b>	
			4<L≤16 ±0.2		UNIT: MM	UL REC. UL 94V-0	
			16<L≤63 ±0.3	SCALE:	PIN MATERIAL:		PIN TENSION LOAD:
<b>智信电子塑胶有限公司</b> ZHI XIN ELECTRONICS PLASTIC CO., LTD. TEL:0769-86389901-2 FAX:0769-86389903				DATE: 2007.08.13	DRAWING NO. <b>ZX-42K</b>		REV. <b>A01</b>