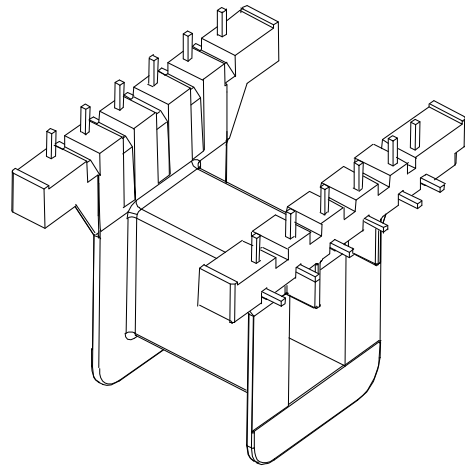
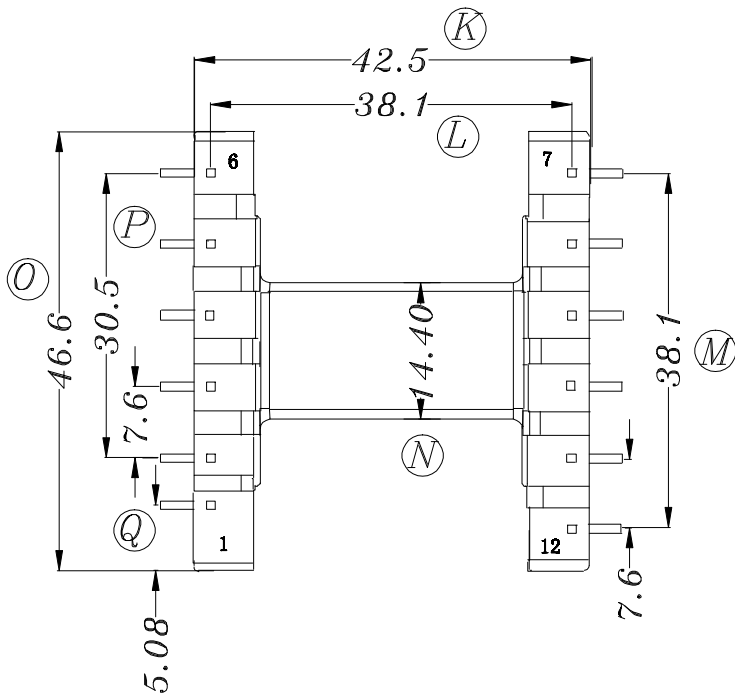
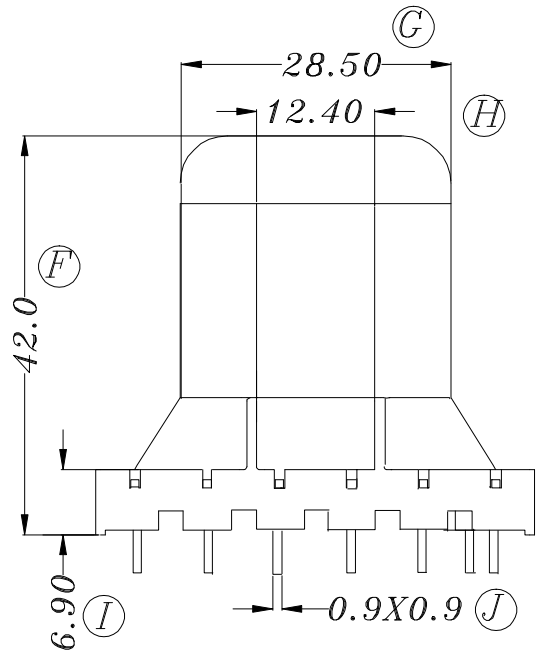
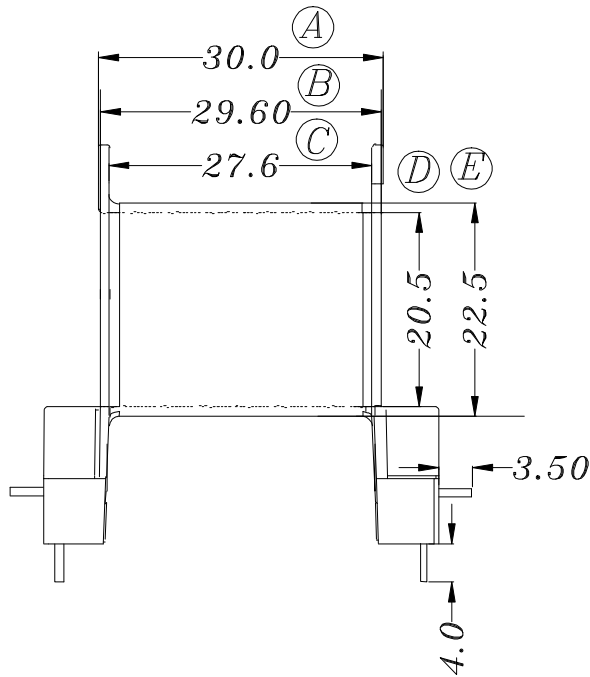


ZX-42U



REV.	REVISIONS REC.		DATE	REV.	REVISIONS REC.		DATE
1				4			
2				5			
3				6			
DRAWN & DRAFTED BY		LIU WEI QIANG	TOLERANCES		ANGLE: $\pm 1^\circ$		TITLE: EE-42(6+6P)
CHECKED & APPROVED BY		ZHANG YONG	0 < L ≤ 4 ± 0.1	pin pitch	UNIT: MM	BOBBIN MATERIAL: PHENOLIC	UL REC. UL 94V-0
			4 < L ≤ 16 ± 0.2	± 0.2	SCALE:	PIN MATERIAL: CP WIRE	PIN TENSION LOAD: 1.5KG MIN
			16 < L ≤ 63 ± 0.3		DATE: 2018.12.08	DRAWING NO. ZX-42U	REV. A01



智信电子塑胶有限公司
ZHI XIN ELECTRONICS PLASTIC CO., LTD.
 TEL: 0769-86389901-2 FAX: 0769-86389903

