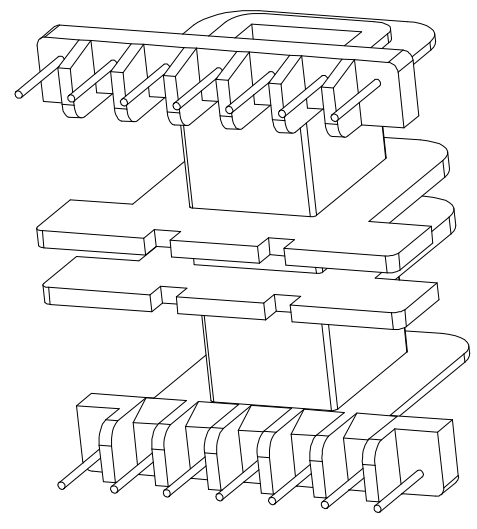
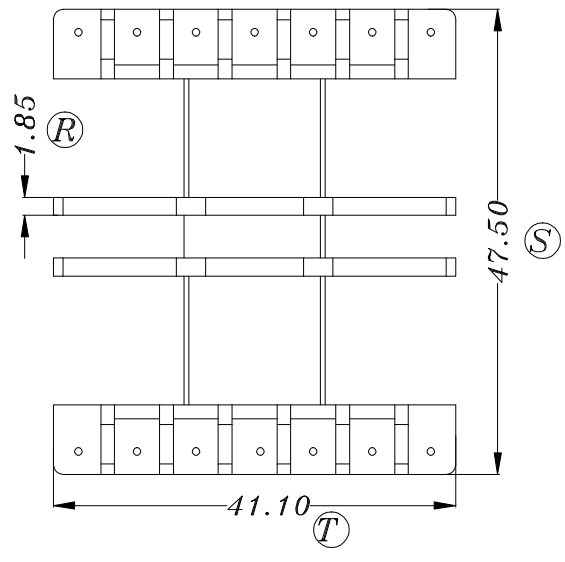
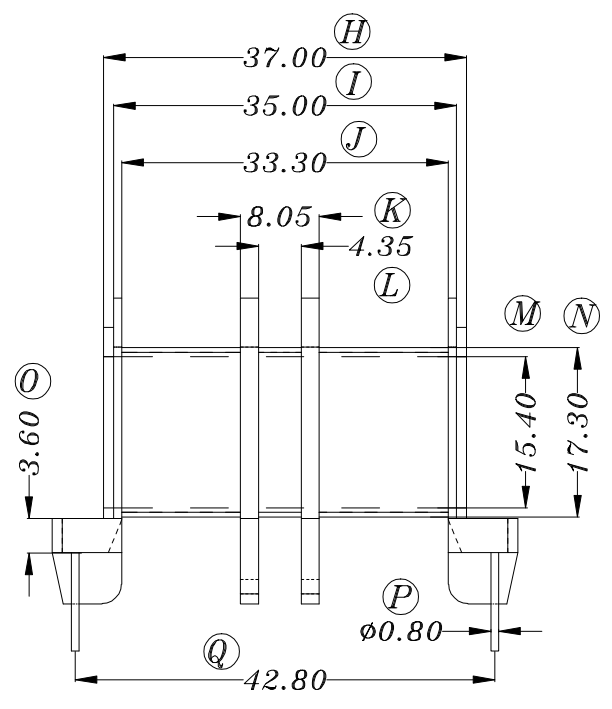
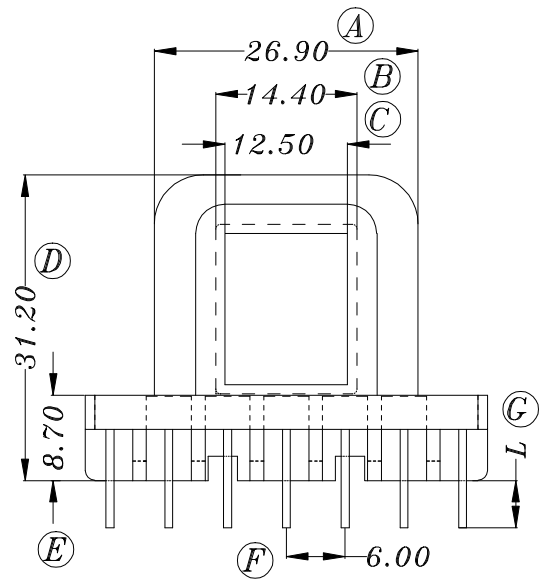


# ZX-42V



REV.	REVISIONS	REC.	DATE	REV.	REVISIONS	REC.	DATE
1				4			
2				5			
3				6			
DRAWN & DRAFTED BY		LIU WEI QIANG		TITLE:		EE-42(7+7P)	
CHECKED & APPROVED BY		ZHANG YONG		UNIT:		MM	
		TOLERANCES		ANGLE:		±1°	
		0<L≤4 ±0.1		BOBBIN MATERIAL:		PHENOLIC	
		4<L≤16 ±0.2		PIN MATERIAL:		CP WIRE	
		16<L≤63 ±0.3		DATE:		2018.12.08	
		pin pitch ±0.2		DRAWING NO.:		ZX-42V	
				PIN TENSION LOAD:		1.2KG MIN	
				REV.:		A01	



**智信电子塑胶有限公司**  
**ZHI XIN ELECTRONICS PLASTIC CO., LTD.**  
 TEL:0769-86389901-2 FAX:0769-86389903

