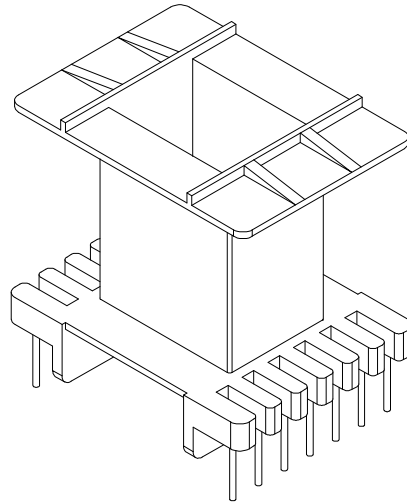
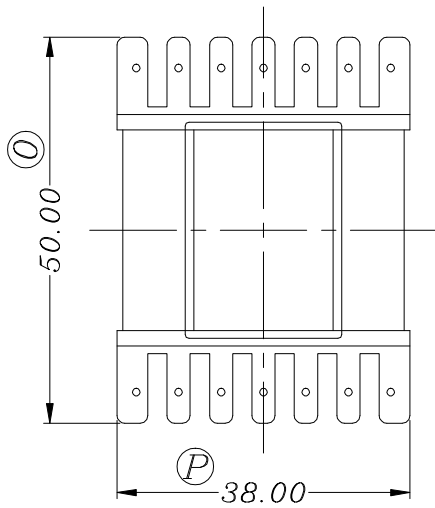
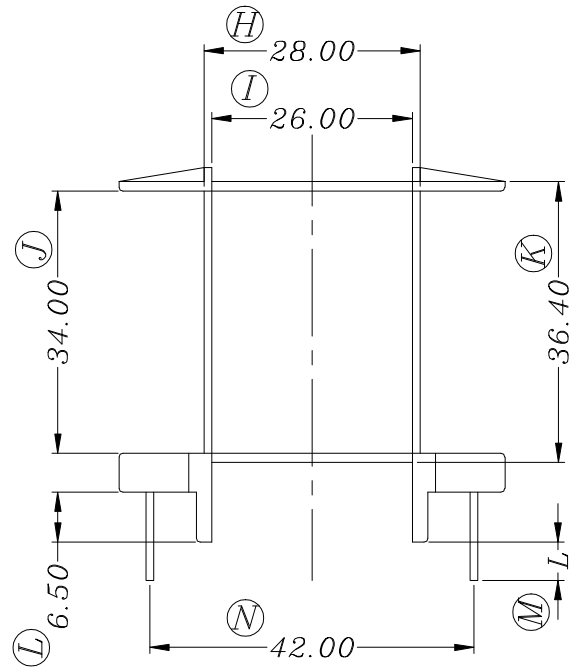
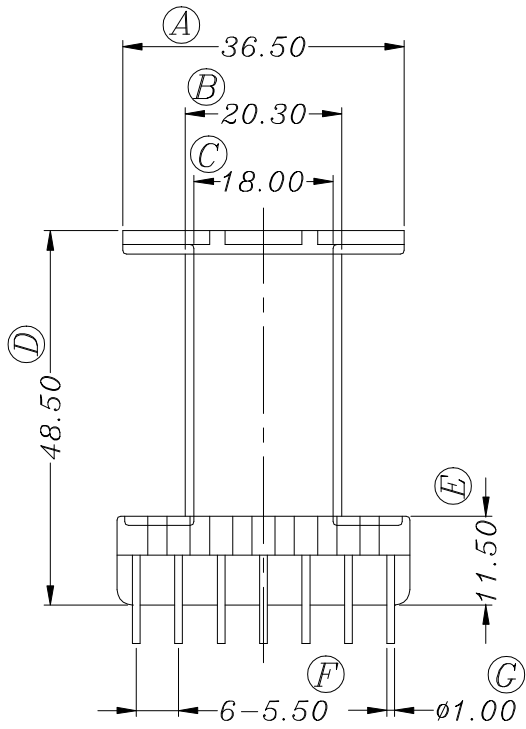


# ZX-55A

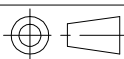


REV.	REVISIONS REC.		DATE	REV.	REVISIONS REC.		DATE
1				4			
2				5			
3				6			
DRAWN & DRAFTED BY		LIU WEI QIANG	TOLERANCES		ANGLE:	TITLE: EE-55(7+7P)	
CHECKED & APPROVED BY		MA BU JIAN	0 < L ≤ 4 ±0.1	pin pitch	±1°	BOBBIN MATERIAL: PHENOLIC	
			4 < L ≤ 16 ±0.2	±0.2	UNIT:	UL REC.	UL 94V-0
			16 < L ≤ 63 ±0.3		MM	PIN MATERIAL: CP WIRE	PIN TENSION LOAD: 1.5KG MIN
			SCALE:		DATE:	DRAWING NO.	REV.
					2008.06.05	ZX-55A	A01



**智信电子塑胶有限公司**

ZHI XIN ELECTRONICS PLASTIC CO., LTD.  
TEL:0769-86389901-2 FAX:0769-86389903



DATE: 2008.06.05

DRAWING NO.

ZX-55A

REV. A01