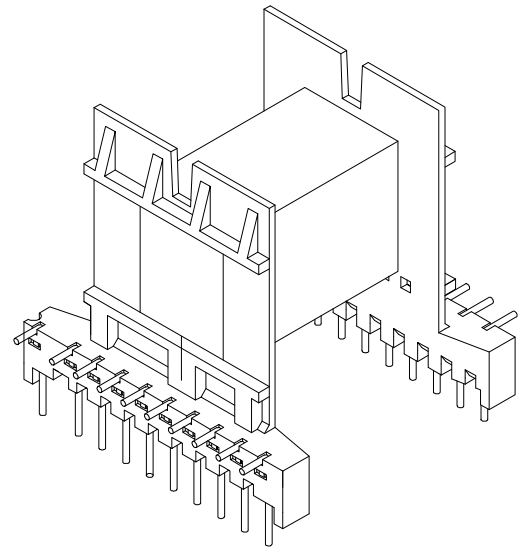
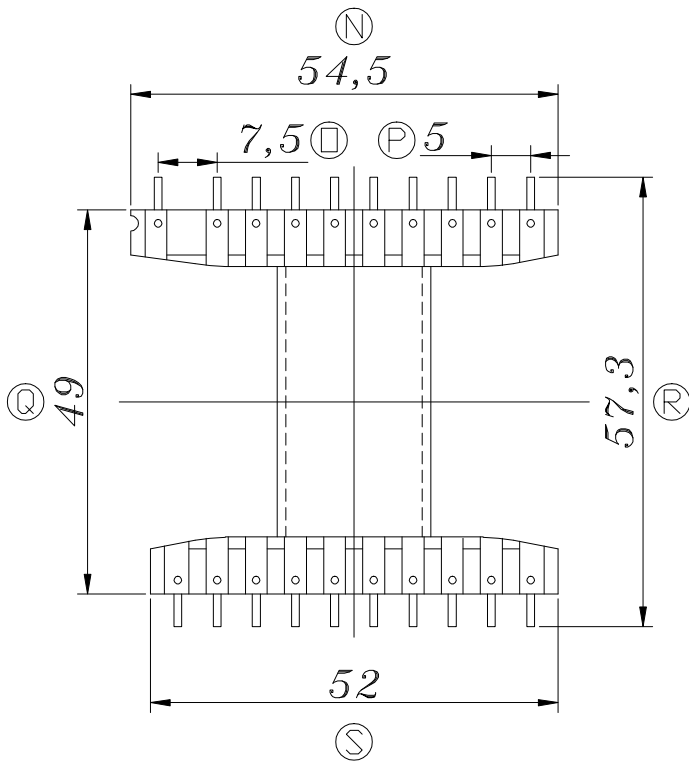
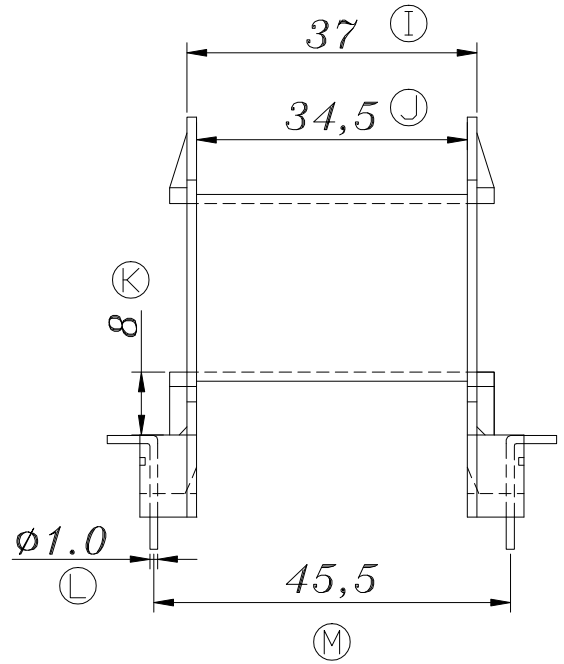
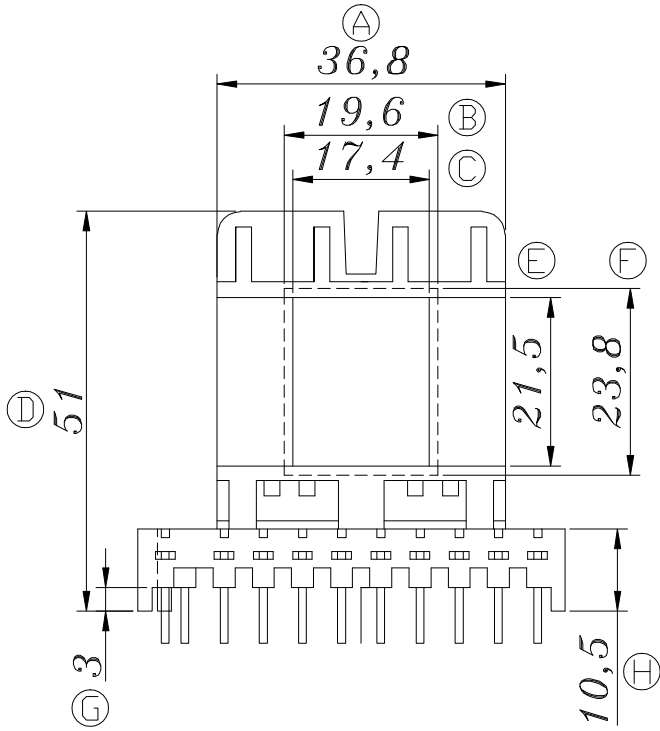


ZX-55D



REV.	REVISIONS REC.		DATE	REV.	REVISIONS REC.		DATE
1				4			
2				5			
3				6			
DRAWN & DRAFTED BY		LIU WEI QIANG		TOLERANCES		ANGLE: $\pm 1^\circ$	
CHECKED & APPROVED BY		ZHANG YONG		0 < L ≤ 4 ± 0.1		TITLE: EE-55(10+10P)	
				4 < L ≤ 16 ± 0.2		BOBBIN MATERIAL: PET	
				16 < L ≤ 63 ± 0.3		UL REC. UL 94V-0	
				pin pitch ± 0.2		PIN MATERIAL: CP WIRE	
				UNIT: MM		PIN TENSION LOAD: 1.5KG MIN	
				SCALE:		DATE: 2018.12.08	
				DRAWING NO. ZX-55D		REV. A01	



智信电子塑胶有限公司

ZHI XIN ELECTRONICS PLASTIC CO., LTD.
TEL: 0769-86389901-2 FAX: 0769-86389903

