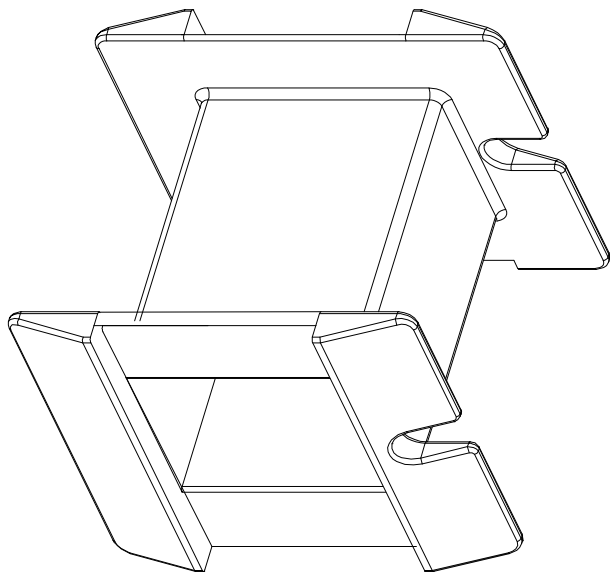
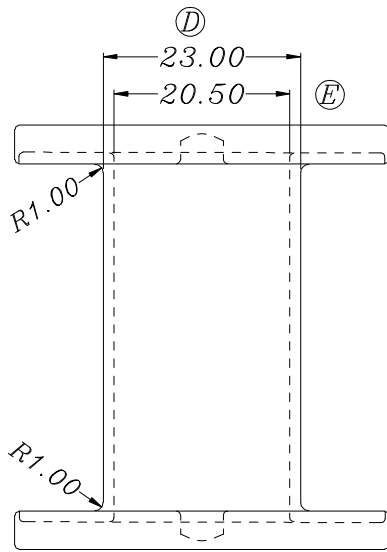
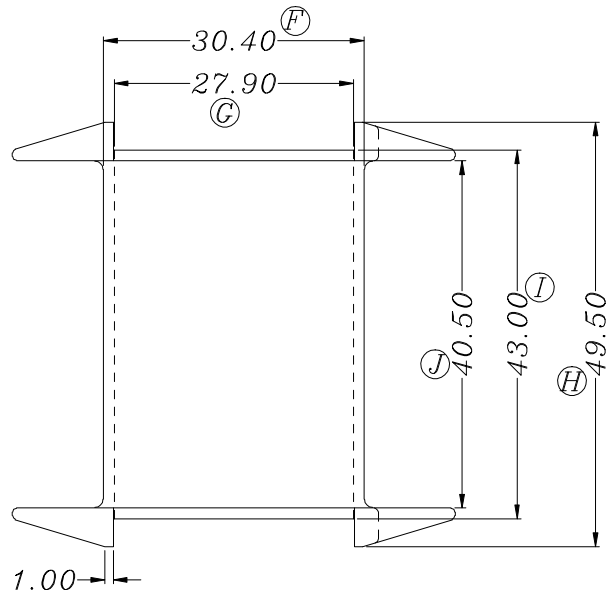
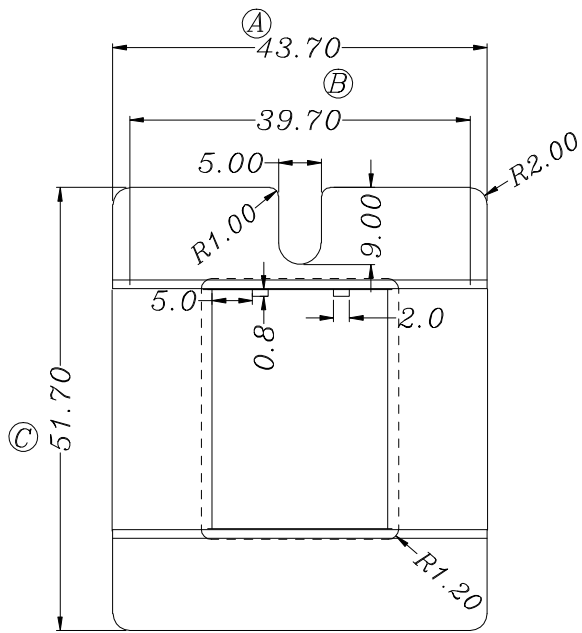


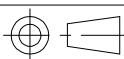
ZX-65A



REV.	REVISIONS	REC.	DATE	REV.	REVISIONS	REC.	DATE
1				4			
2				5			
3				6			
DRAWN & DRAFTED BY		LIU WEI QIANG		TOLERANCES		ANGLE:	
CHECKED & APPROVED BY		MA BU JIAN		0 < L ≤ 4 ±0.1		±1°	
				4 < L ≤ 16 ±0.2		UNIT:	
				16 < L ≤ 63 ±0.3		MM	
				pin pitch ±0.2		TITLE: EE-65	
				SCALE:		BOBBIN MATERIAL: PLASTIC	
				DATE: 2006.08.26		UL REC. UL 94V-0	
				DRAWING NO. ZX-65A		PIN TENSION LOAD:	
				REV. A01			



智信电子塑胶有限公司
ZHI XIN ELECTRONICS PLASTIC CO., LTD.
 TEL:0769-86389901-2 FAX:0769-86389903



DATE: 2006.08.26

DRAWING NO.

ZX-65A

REV. A01