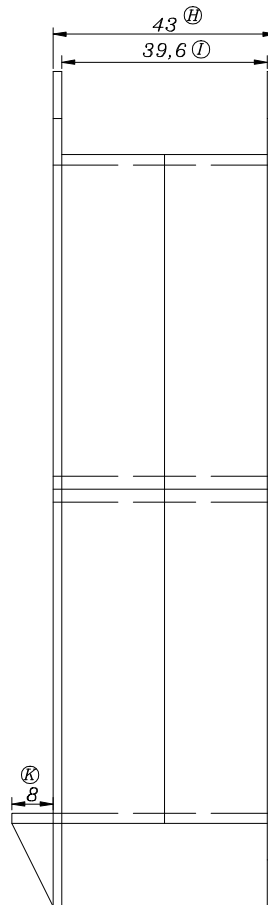
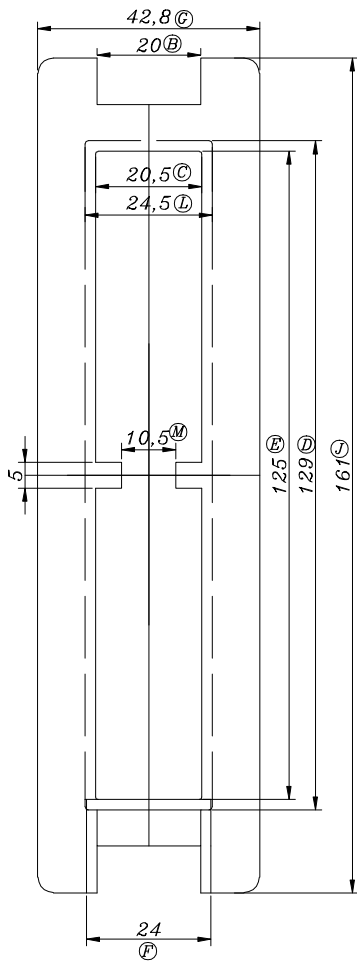
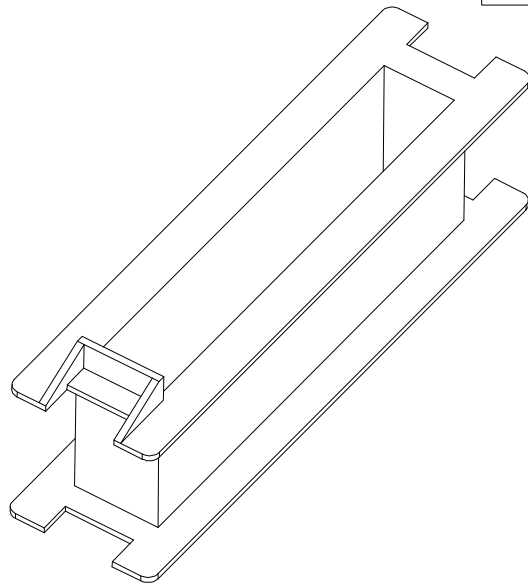
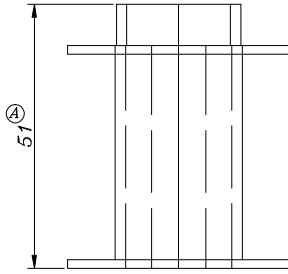


# ZX-65B



REV.	REVISIONS	REC.	DATE	REV.	REVISIONS	REC.	DATE		
1				4					
2				5					
3				6					
DRAWN & DRAFTED BY		LIU WEI QIANG		TOLERANCES		ANGLE: $\pm 1^\circ$		TITLE: <b>EE-65 无PIN</b>	
CHECKED & APPROVED BY		MA BU JIAN		$0 < L \leq 4 \pm 0.1$ $4 < L \leq 16 \pm 0.2$ $16 < L \leq 63 \pm 0.3$		pin pitch $\pm 0.2$		BOBBIN MATERIAL: <b>PHENOLIC</b> UL REC. UL 94V-0	
				UNIT: MM		SCALE:		PIN MATERIAL:	
				DATE: 2006.12.28		DRAWING NO. ZX-65B		PIN TENSION LOAD:	
								REV. A01	



**智信电子塑胶有限公司**  
 ZHI XIN ELECTRONICS PLASTIC CO., LTD.  
 TEL: 0769-86389901-2 FAX: 0769-86389903