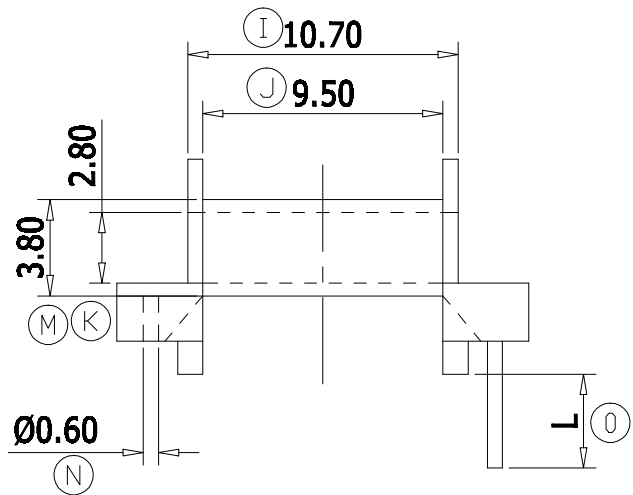
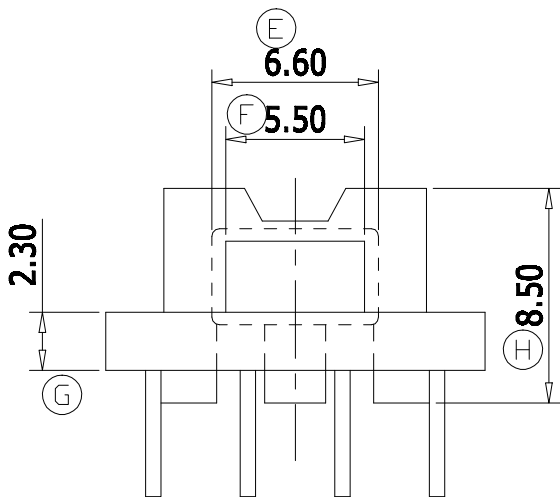
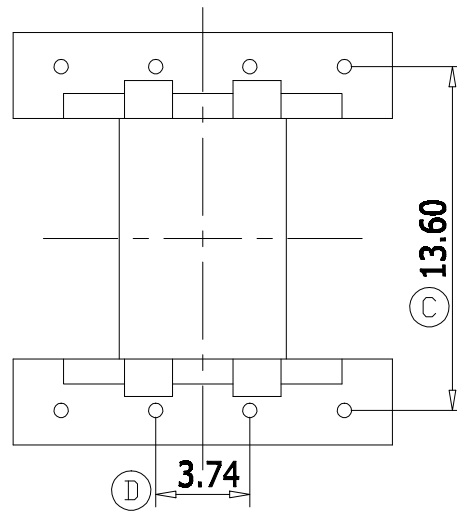
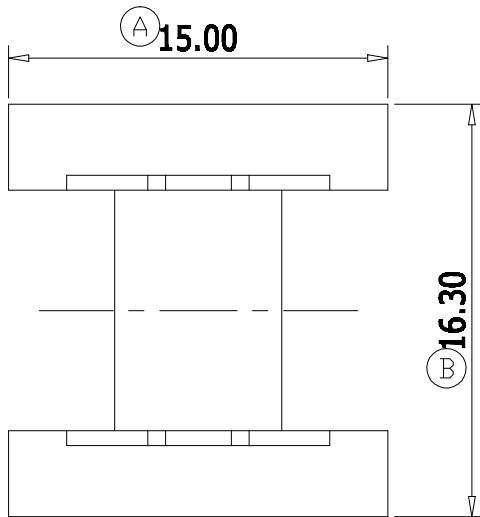
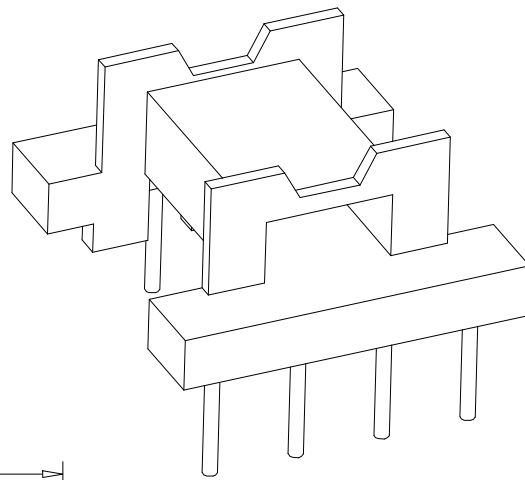


ZX-15A



REV.	REVISIONS REC.	DATE	REV.	REVISIONS REC.	DATE
1			4		
2			5		
3			6		
DRAWN & DRAFTED BY LUOSHENG	TOLERANCES 0<L<4 ±0.1 4<L<16 ±0.2 16<L<63 ±0.3	ANGLE: ±1°	TITLE: EFD-15 (4+4P)		
CHECKED & APPROVED BY MA BU JIAN		UNIT: MM	BOBBIN MATERIAL: PHENOLIC	UL REC. UL 94V-0	
智信电子塑胶有限公司 ZHI XIN ELECTRONICS PLASTIC CO., LTD. TEL: 0769-86389901-2 FAX: 0769-86389903		SCALE:	PIN MATERIAL: CP WIRE	PIN TENSION LOAD: 1.0KG MIN	
			DATE: 2009.09.01	DRAWING NO. ZX-15A	REV. A01