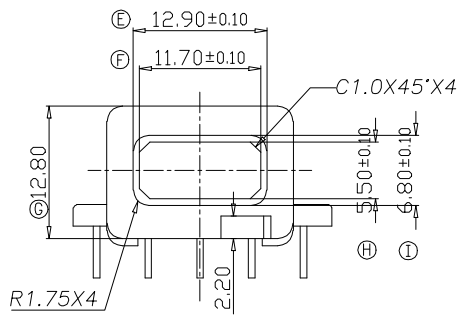
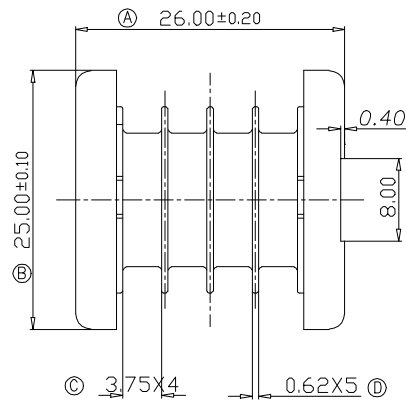
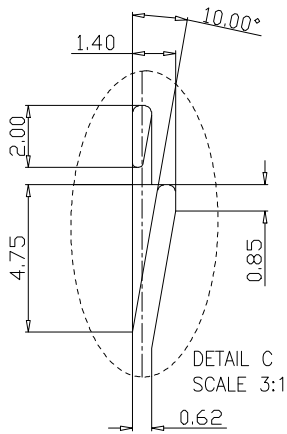
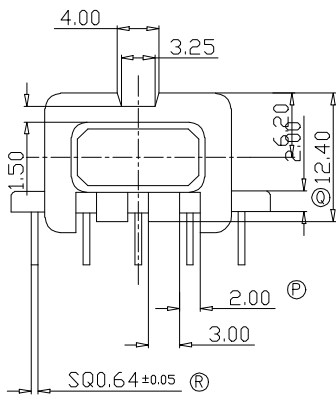
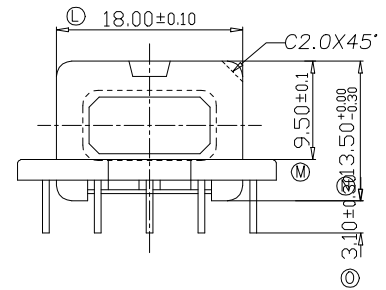
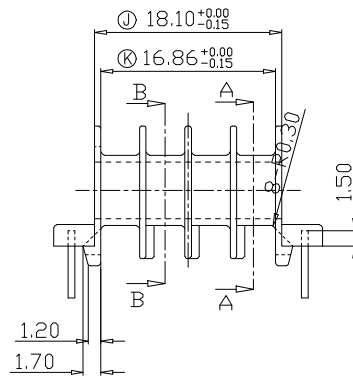


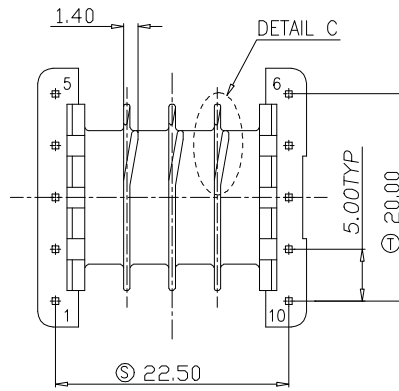
ZX-25K1



SECTION B-B



SECTION A-A



REV.	REVISIONS	REC.	DATE	REV.	REVISIONS	REC.	DATE		
1				4					
2				5					
3				6					
DRAWN & DRAFTED BY		LIU WEI QIANG		TOLERANCES		ANGLE: ±1°		TITLE: EFD-25(5+5P)4S	
CHECKED & APPROVED BY		MA BU JIAN		0<L≤4 ±0.1 4<L≤16 ±0.2 16<L≤63 ±0.3		pin pitch ±0.2		UNIT: MM	
BOBBIN MATERIAL:		PHENOLIC		PIN MATERIAL:		CP WIRE		UL REC. UL 94V-0	
SCALE:				DATE:		2011.07.02		DRAWING NO. ZX-25K1	
PIN TENSION LOAD:		1.0KG MIN		REV. A01					