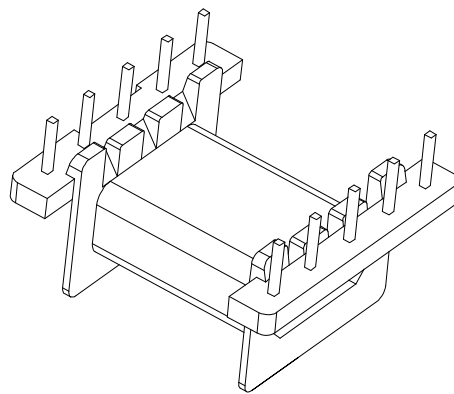
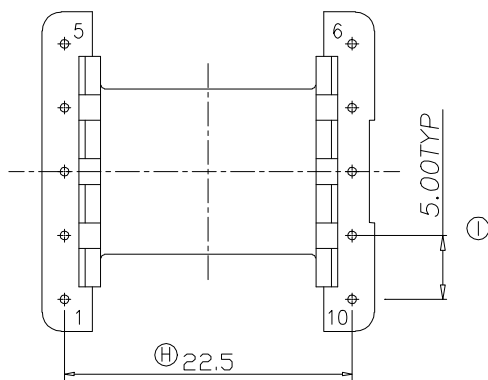
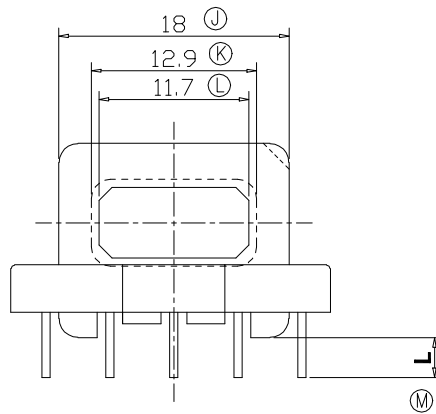
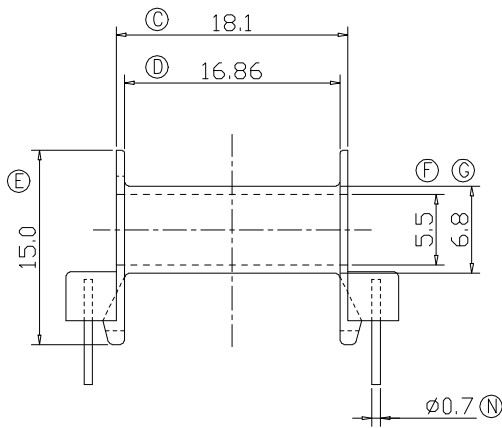
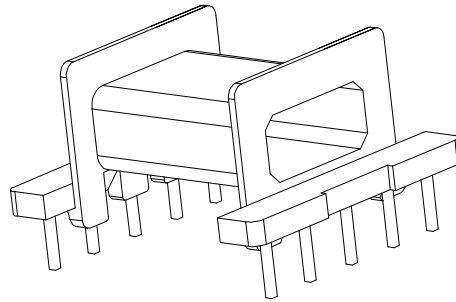
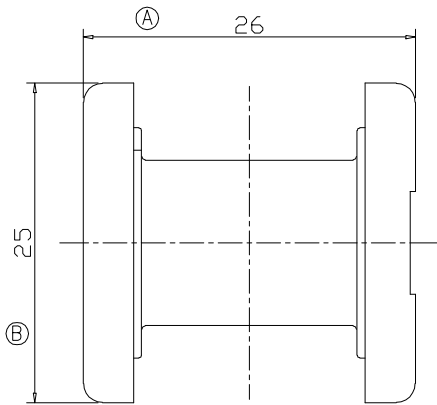


# ZX-25K2



REV.	REVISIONS REC.		DATE	REV.	REVISIONS REC.		DATE		
1				4					
2				5					
3				6					
DRAWN & DRAFTED BY		LIU WEI QIANG		TOLERANCES		ANGLE: ±1°		TITLE: EFD-25(5+5P)	
CHECKED & APPROVED BY		MA BU JIAN		pin pitch ±0.2		UNIT: MM		BOBBIN MATERIAL: PHENOLIC	
				0<L≤4 ±0.1				UL REC. UL 94V-0	
				4<L≤16 ±0.2				PIN MATERIAL: CP WIRE	
				16<L≤63 ±0.3				PIN TENSION LOAD: 1.0KG MIN	
ZXE		智信电子塑胶有限公司		SCALE:		DATE: 2005.03.07		DRAWING NO. ZX-25K2	
ZHI XIN ELECTRONICS PLASTIC CO., LTD.				DATE: 2005.03.07		DRAWING NO. ZX-25K2		REV. A01	
TEL:0769-86389901-2		FAX:0769-86389903							