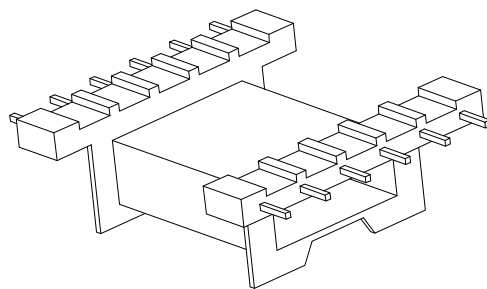
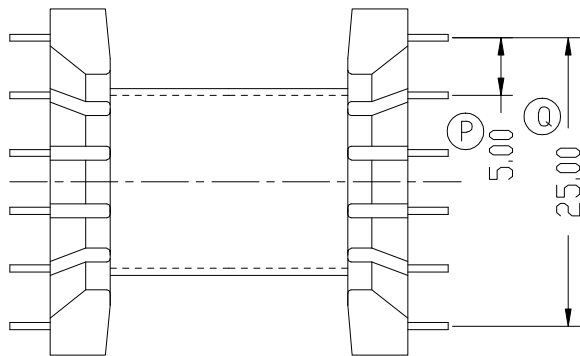
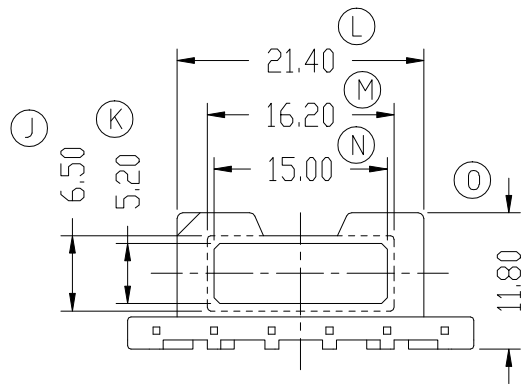
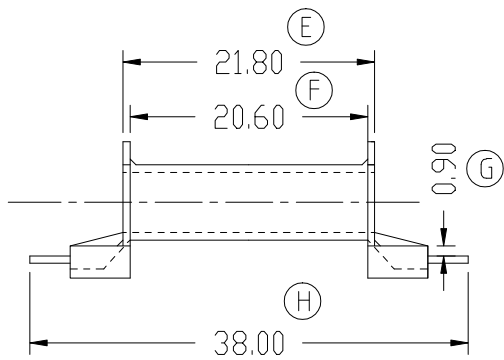
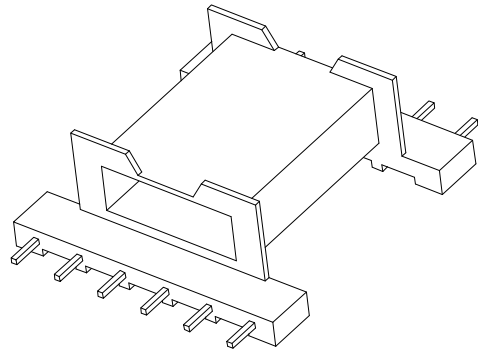
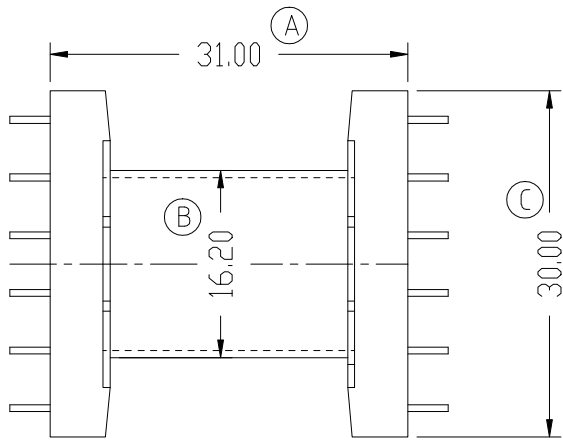


ZX-30M



REV.	REVISIONS REC.		DATE	REV.	REVISIONS REC.		DATE
1				4			
2				5			
3				6			
DRAWN & DRAFTED BY	LIU WEI QIANG	TOLERANCES		ANGLE:	TITLE: EFD-30(6+6P)		
CHECKED & APPROVED BY	MA BU JIAN	0<L≤4 ±0.1	pin pitch	±1°	BOBBIN MATERIAL:	PHENOLIC	UL REC. UL 94V-0
		4<L≤16 ±0.2	±0.2	UNIT:	MM	PIN MATERIAL:	CP WIRE
		16<L≤63 ±0.3		SCALE:		PIN TENSION LOAD:	1.0KG MIN
智信电子塑胶有限公司 ZHI XIN ELECTRONICS PLASTIC CO., LTD. TEL:0769-86389901-2 FAX:0769-86389903				DATE:	2009.07.12	DRAWING NO.	ZX-30M
						REV.	A01